

Parts Manual

45-8002

PL30-1004

04/20/2011



DOTCO®

10-04 Series
Light Duty Precision Grinder



Model Number	ThrottleType	Speed
		RPM
10N0400	None	60,000
10N0401	None	60,000
10R0400	Roll	60,000
10R0401	Roll	60,000
10R0402	Roll	40,000
10R0412*	Roll	60,000

* Note: Wrenchless Chuck model

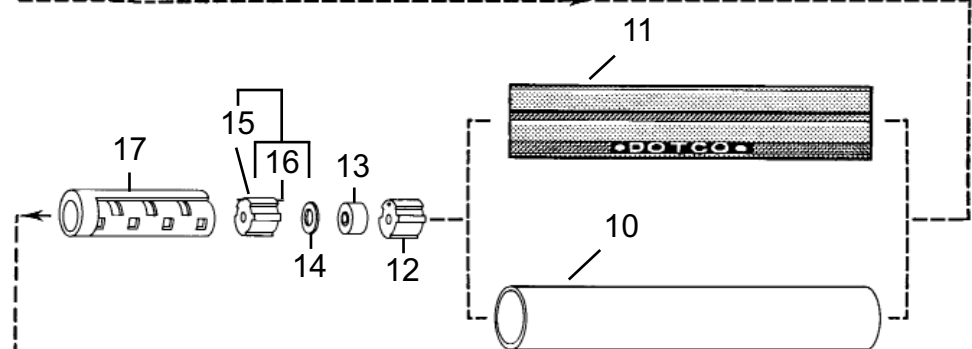
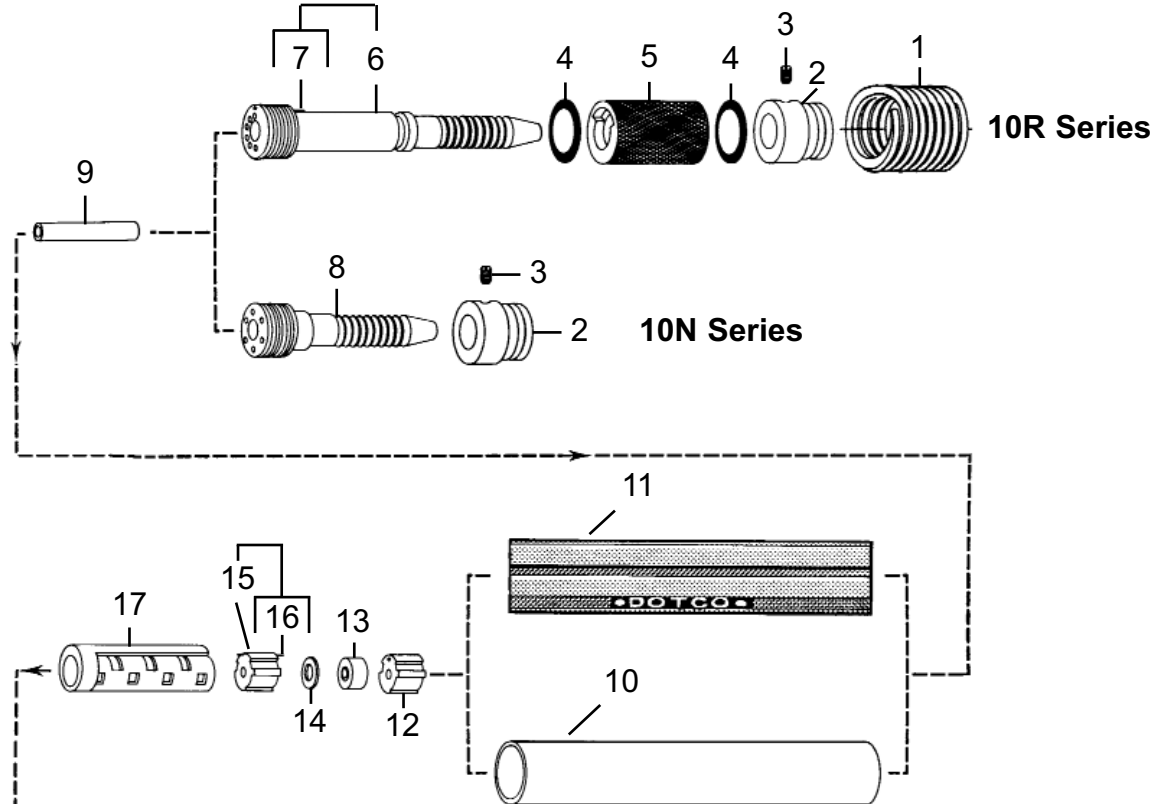
For additional product information visit our website at;

<https://dotcotool.com/product-category/dotco-air-tools/dotco-grinders/dotco-precision-grinders/dotco-10-04-series-precision-grinders/>

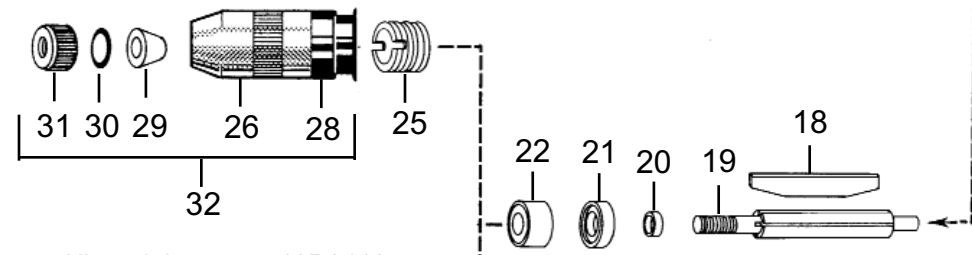
DOTCO

10-0400 Series Light Duty Precision Grinder

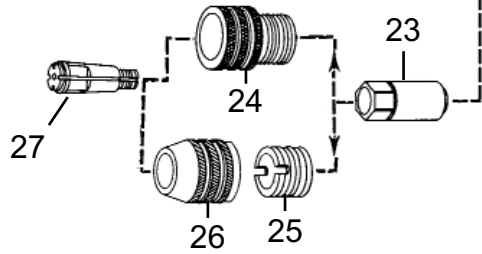
"A"



Model 10R0412 ONLY.



All models except 10R0412.



Appropriate wrenches are supplied with options requiring their use.

DOTCO

10-0400 Series Light Duty Precision Grinder

PL30-1004
April 6, 2006

Illustration "A" - 10-04 Series Pencil Grinder

Ref.	Number	#	●	Kit	EN	DE	FR	ES	IT
					Description	Benennung	Designation	Description	Descrizione
1	6061	1			Overhose Spring	Druckfeder	Ressort	Resorte	Molla
2	Table A	1			Exhaust Adapter	Zwischenstück	Adaptateur	Adaptador	Adattatore
3	Table A	1			Set Screw	Stellschraube	Vis de pression	Tornillo fijador	Vite di arresto
4	6050	2			O-Ring	O-Ring	Joint torique	Anillo "O"	Anello ad O
5	01-0935	1			Roll Valve	Ventil	Soupape	Válvula	Valvola
6	01-0929	1			Valve Body	Ventilkörper	Corps de soupape	Cuerpo de válvula	Corpo della valvola
7	954	1			Pin	Stift	Goupille cylindrique	Pasador	Spina
8	950	1			Air Inlet Adapter	Zwischenstück	Adaptateur	Adaptador	Adattatore
9	948	1			Inlet Tube	Rohrmutter	Tube	Tubo	Tubo
10	Table A	1			Housing	Gehäuse	Corps	Caja	Corpo
11	Table A	1			Housing Cover	Deckel	Couvercle	Cubierta	Coperchio
12	969	1			Adapter	Zwischenstück	Adaptateur	Adaptador	Adattatore
13	510	1			Ball Bearing	Kugellager	Roulement à billes	Cojinete de bolas	Cuscinetto a sfera
14	949	1			Spring Washer	Scheibe	Rondelle	Arandela	Rondella
15	979	1			Bearing Plate	Tragplatte	Plaque de support	Placa de asiento	Piatello cuscinetto
16	1354	2			Pin	Stift	Goupille cylindrique	Pasador	Spina
17	989	1			Cylinder	Zylinder	Cylindre	Cilindro	Cilindro
18	1343	3			Rotor Blade	Rotorblatt	Palette	Alabe del rotor	Paletta del rotore
19	982	1			Rotor	Rotor	Rotor	El rotor	Il rotore
20	977	1			Spacer	Distanzstück	Entretoise	Espaciador	Distanziale
21	978	1			Bearing Spacer	Lagerdistanzstück	Entretoise de coussinet	Separador de cojinetes	Distanziale cuscinetto
22	548	1			Ball Bearing	Kugellager	Roulement à billes	Cojinete de bolas	Cuscinetto a sfera
23	976	1			Chuck Body	Futter Körper	Corps de trou	Bote el Cuerpo	Il Corpo di ciottolo
24	Table A	1			Lock Nut	Überwurfmutter	Contre-ecrou molette	Tuerca de fijación	Dado di bloccaggio
25	Table A	1			Lock Ring	Verschlussring	Bague de verrouillage	Anillo de cierre	Anello di bloccaggio
26	Table A	1			Collet Guard	Schutzvorrichtung	Protection	Guarda	Protezione
27	100	1			Collet (1/8")	Futter	Douille de serrage	Boquilla	Bussola di chiusura
	102	1			Collet (3/32")	Futter	Douille de serrage	Boquilla	Bussola di chiusura
28	902	1			Guard Lock Ring	Verschlussring	Bague de verrouillage	Anillo de cierre	Anello di bloccaggio
29	901	1			Wedge	Keil	Cale	Cuña	Cuneo
30	913	1			O-Ring	O-Ring	Joint torique	Anillo "O"	Anello ad O
31	904	1			Lock Nut	Überwurfmutter	Contre-ecrou molette	Tuerca de fijación	Dado di bloccaggio
32	956	1	(1)		Wrenchless Chuck	Klammer	Serre-joint	La abrazadera	Il morsetto
	957	1	(1)		Wrenchless Chuck	Klammer	Serre-joint	La abrazadera	Il morsetto
	958	1	(1)		Wrenchless Chuck	Klammer	Serre-joint	La abrazadera	Il morsetto
Parts Not Shown:									
--	45-6003	1			Overhose	Schlauchabdeckung	Couverture de tuyau	Cubierta de la manguera	Copertura del tubo flessibile
--	45-0948	1			Intake Hose	Schlauch	Tuyau	Manguera	Tubo
--	14-0803	1	(2)		Wrench (3/16")	Schraubenschlüssel	Clé plate	La llave	La chiave
--	14-0822	1	(2)		Wrench (11/32")	Schraubenschlüssel	Clé plate	La llave	La chiave

(#) Quantity / Stückzahl / Quantité / Cantidad / Quantità

(1) Wrenchless Chuck capacities: 956 = 2.35mm, 957 = 3mm, 958 = 1/8"

(2) All models except 10R0412

Table "A"

Ref.	Description	Qty.	10N0400	Qty.	10N0401	Qty.	10R0400 10R0402	Qty.	10R0401	Qty.	10R0412
2	Adapter	1	971	1	971	1	01-0917	1	01-0917	1	01-0917
3	Set Screw	1	6063	1	6063	1	6057	1	6057	1	6057
10	Housing	1	972	1	972	1	972	1	972	1	952
11	Housing Cover		---		---		---		---		920
24	Lock Nut	1	970		---	1	970		---		---
25	Lock Ring		---	1	967		---	1	967	1	903
26	Collet Guard		---	1	1830		---	1	1830	1	905

Sales & Service Centers

Note: All locations may not service all products. Please contact the nearest Sales & Service Center for the appropriate facility to handle your service requirements.

Dallas, TX
**Apex Tool Group
Sales & Service Center**
1470 Post & Paddock
Grand Prairie, TX 75050
Tel: 972-641-9563
Fax: 972-641-9674

Detroit, MI
**Apex Tool Group
Sales & Service Center**
2630 Superior Court
Auburn Hills, MI 48326
Tel: 248-391-3700
Fax: 248-391-7824

Houston, TX
**Apex Tool Group
Sales & Service Center**
6550 West Sam Houston
Parkway North, Suite 200
Houston, TX 77041
Tel: 713-849-2364
Fax: 713-849-2047

Lexington, SC
Apex Tool Group
670 Industrial Drive
Lexington, SC 29072
Tel: 800-845-5629
Tel: 803-951-7544
Fax: 803-358-7681

Los Angeles, CA
**Apex Tool Group
Sales & Service Center**
15503 Blackburn Avenue
Norwalk, CA 90650
Tel: 562-623-4457
Fax: 562-802-1718

Seattle, WA
**Apex Tool Group
Sales & Service Center**
2865 152nd Avenue N.E.
Redmond, WA 98052
Tel: 425-497-0476
Fax: 425-497-0496

York, PA
**Apex Tool Group
Sales & Service Center**
3990 East Market Street
York, PA 17402
Tel: 717-755-2933
Fax: 717-757-5063

Canada
**Apex Tool Group
Sales & Service Center**
5925 McLaughlin Road
Mississauga, Ont. L5R 1B8
Canada
Tel: 905-501-4785
Fax: 905-501-4786

Germany
Cooper Power Tools
GmbH & Co. OHG
a company of
Apex Tool Group, LLC
Industriestraße 1
73463 Westhausen
Germany
Tel: +49 (0) 73 63 81 0
Fax: +49 (0) 73 63 81 222

England
Cooper Power Tools
GmbH & Co. OHG
a company of
Apex Tool Group, LLC
C/O Spline Gauges
Piccadilly, Tamworth
Staffordshire B78 2ER
United Kingdom
Tel: +44 1827 8741 28
Fax: +44 1827 8741 28

France
Cooper Power Tools SAS
a company of
Apex Tool Group, LLC
25 rue Maurice Chevalier
77330 Ozoir-La-Ferrière
France
Tel: +33 1 6443 2200
Fax: +33 1 6443 1717

China
Cooper (China) Co., Ltd.
a company of
Apex Tool Group, LLC
955 Sheng Li Road,
Heqing Pudong, Shanghai
China 201201
Tel: +86-21-28994176
Fax: +86-21-51118446

Mexico
Cooper Tools
de México S.A. de C.V.
a company of
Apex Tool Group, LLC
Vialidad El Pueblito #103
Parque Industrial Querétaro
Querétaro, QRO 76220
Mexico
Tel: +52 (442) 211-3800
Fax: +52 (442) 103-0443

Brazil
Cooper Tools Industrial Ltda.
a company of
Apex Tool Group, LLC
Av. Liberdade, 4055
Zona Industrial - Iporanga
SP Brazil
Tel: +55 15 2383929
Fax: +55 15 2383260

Hungary
Cooper Tools Hungaria Kft.
a company of
Apex Tool Group, LLC
Berkenyefa sor 7
Pf: 640
9027 Győr
Hungary
Tel: +36 96 66 1383
Fax: +36 96 66 1135

Apex Tool Group, LLC
1000 Lufkin Road
Apex, NC 27539
Phone: 919-387-0099
Fax: 919-387-2614
www.apextoolgroup.com

DOTCO®