

Parts Manual
45-8165EN
12/04/2015

DOTCO[®]

OMEGA TECHNOLOGIES

12-25 Series
Inline Grinders & Sanders



For additional product information visit our website at:

<https://dotcotool.com/product-category/dotco-air-tools/dotco-grinders/dotco-inline-grinders/dotco-12-25-series-inline-grinders/>

	12	X	2	5	XX	-	XX	XX	OH																						
<p>Product Classification 12 = Ergonomic Grinder/Sander</p>																															
<p>Throttle Type L = Locking Lever S = Locking Lever</p>																															
<p>Motor Size 2 = 0.9 hp</p>																															
<p>Handle Style 5 = Straight</p>																															
<p>Speed Options (RPM)</p> <table border="0"> <tr> <td>Front Exhaust</td> <td>Rear Exhaust</td> </tr> <tr> <td>00 = 23,000</td> <td>80 = 25,000</td> </tr> <tr> <td>02 = 18,000</td> <td>82 = 18,000</td> </tr> </table>										Front Exhaust	Rear Exhaust	00 = 23,000	80 = 25,000	02 = 18,000	82 = 18,000																
Front Exhaust	Rear Exhaust																														
00 = 23,000	80 = 25,000																														
02 = 18,000	82 = 18,000																														
<p>Termination Code 01 = 200 Series Collet 36 = 300 Series Collet 77 = Cone and Plug Wheel (12-2580 series)</p>																															
<p>Optional Collet (no extra cost)</p> <table border="0"> <tr> <td>200 Series</td> <td>300 Series</td> </tr> <tr> <td>08 = 1/8"</td> <td>03 = 3/64"</td> </tr> <tr> <td>10 = 5/32"</td> <td>05 = 5/64"</td> </tr> <tr> <td>12 = 3/16"</td> <td>06 = 3/32"</td> </tr> <tr> <td>14 = 7/32"</td> <td>08 = 1/8"</td> </tr> <tr> <td>18 = 9/32"</td> <td>10 = 5/32"</td> </tr> <tr> <td>20 = 5/16"</td> <td>12 = 3/16"</td> </tr> <tr> <td>22 = 11/32"</td> <td>M3 = 3mm</td> </tr> <tr> <td>24 = 3/8"</td> <td>M6 = 6mm</td> </tr> <tr> <td>M6 = 6mm</td> <td></td> </tr> <tr> <td>M8 = 8mm</td> <td></td> </tr> </table>										200 Series	300 Series	08 = 1/8"	03 = 3/64"	10 = 5/32"	05 = 5/64"	12 = 3/16"	06 = 3/32"	14 = 7/32"	08 = 1/8"	18 = 9/32"	10 = 5/32"	20 = 5/16"	12 = 3/16"	22 = 11/32"	M3 = 3mm	24 = 3/8"	M6 = 6mm	M6 = 6mm		M8 = 8mm	
200 Series	300 Series																														
08 = 1/8"	03 = 3/64"																														
10 = 5/32"	05 = 5/64"																														
12 = 3/16"	06 = 3/32"																														
14 = 7/32"	08 = 1/8"																														
18 = 9/32"	10 = 5/32"																														
20 = 5/16"	12 = 3/16"																														
22 = 11/32"	M3 = 3mm																														
24 = 3/8"	M6 = 6mm																														
M6 = 6mm																															
M8 = 8mm																															
<p>Overhose Option (extra cost) OH = Overhose (rear exhaust models only)</p>																															

The original language of this manual is English.

Product Safety Information:

Intended Use:

This pneumatic grinder is to be used only for removing material by utilizing appropriate abrasive wheels, rotary files or other material removal cutting devices.

For additional product safety information refer to Apex Tool Group, LLC or Apex Tool Group GmbH & Co. OHG document GS-2007, General Safety Pneumatic Grinders.



The grinder must not be modified in any manner unless approved in writing by Apex Tool Group, LLC or Apex Tool Group GmbH & Co. OHG. All safety devices must be properly installed and maintained in good working order.

EC Declaration of Conformity:

We affirm that this machine is in accordance with the following EC regulations (2006/42/EC). Applied harmonized standards are ISO 12100:2010-11.

The name, job function and address of the person authorized to compile the technical file.

Mr. Vishnu Irigreddy
Director of Global R&D- Mechanical Engineering
Apex Tool Group
670 Industrial Drive
Lexington, SC 29072

Signature: Vishnu Irigreddy
Date: 03/24/2015

Noise and Vibration:

Sound Level:

- 12(-)25 Front Exhaust ≤ 84 dB(A)
- 12(-)25 Rear Exhaust ≤ 81 dB(A)

Vibration:

- 12(-)25 Front Exhaust < 2.5 m/s²
- 12(-)25 Rear Exhaust < 2.5 m/s²

Air Line Lubrication:

Use Apex Tool Group, LLC or Apex Tool Group GmbH & Co. OHG's lightweight air tool oil (available in quantities shown in the following chart) or an SAE-5 lightweight spindle oil.

Part No.	Packaged	Designation
45-0918	1 Quart (0.94 liter)	Air Line Oil
45-0919	1 US Gallon (3.78 liter)	Air Line Oil

Air Supply Line:

Parameter	Description
Air Hose	Minimum inside diameter: 5/16" (7.9mm) Maximum length: 8.0' (2.4 m)
Working pressure range	Performance rated at: 90 psi (620 kPa)
Compressed air	Air quality according to ISO 8573-1, quality class 2.4.3 The compressed air must be clean and dry.

Service and Repair:

Tool service and repair should be performed by an authorized Apex Tool Group, LLC or Apex Tool Group GmbH & Co. OHG Center. Refer to the last page of this manual for locations.

Disposal:

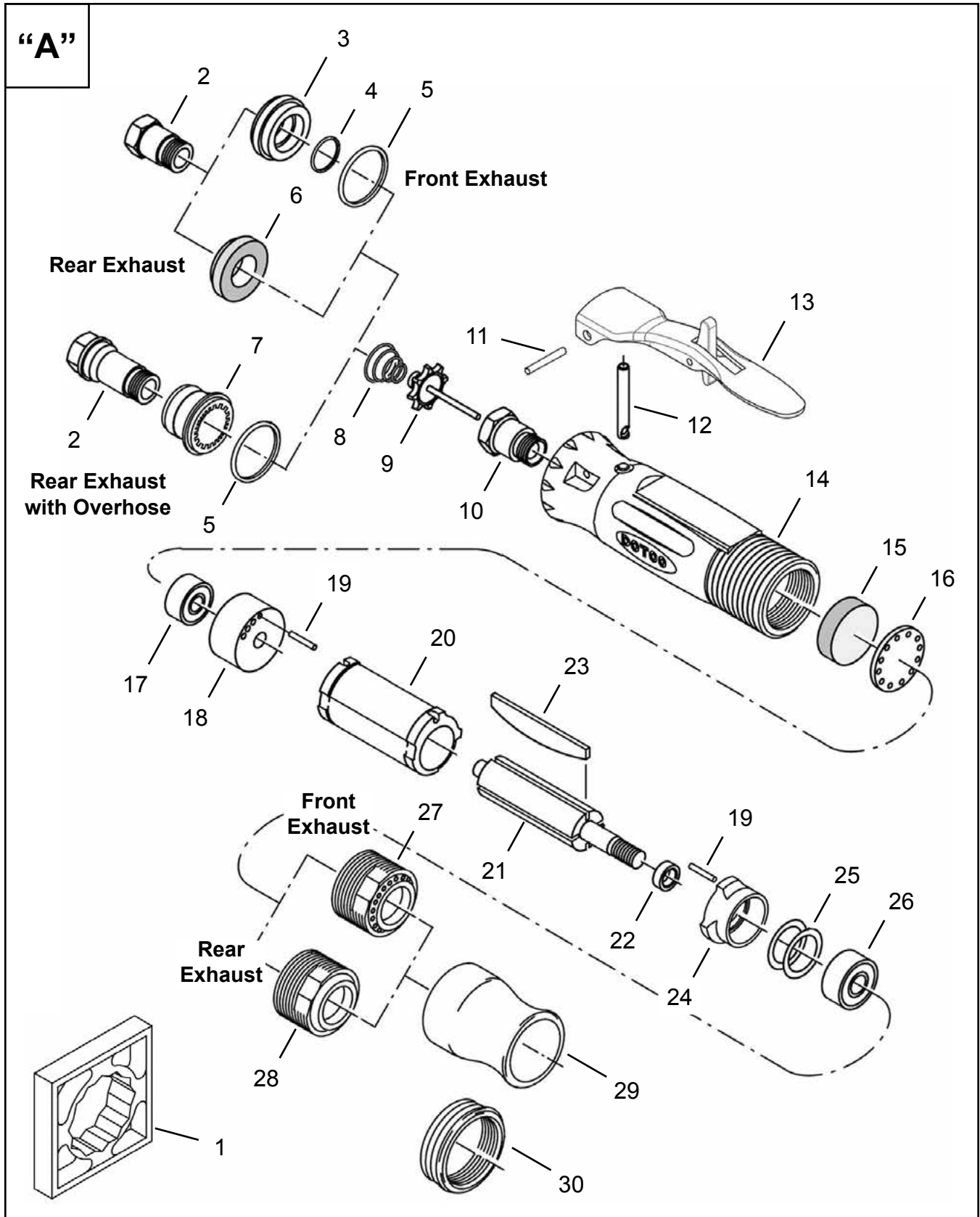


Observe local disposal guidelines for all components of this tool and its packaging.

Copyright Protection:

Apex Tool Group, LLC or Apex Tool Group GmbH & Co. OHG reserves the right to modify, supplement or improve this document or the product without prior notice. This document may not be reproduced in any way, shape or form, in full or parts thereof, or copied to another natural or machine readable language or to a data carrier, whether electronic, mechanical, optical or otherwise without the express permission of Apex Tool Group, LLC or Apex Tool Group GmbH & Co. OHG

Dotco®
Handle and Motor Assembly



Dotco®
Handle and Motor Assembly

45-8165EN
12/04/2015

Illustration "A"

Ref	Number	#	X	EN	
				Description	
1	14-0851	1		Housing Wrench	
2	Table "A"	1	1	Inlet Adapter	
3	01-2506	1		Exhaust Plug	
4	2965PT	1	3	O-Ring	
5	3036PT	1	3	O-Ring	
6	01-2520	1	1	Diffuser	
7	01-1032	1	1	Muffler	
8	01-2519	1	3	Valve Spring	
9	01-2518	1	1	Valve	
10	01-2504	1		Valve Seat	
11	1042	1	1	Lever Pin	
12	01-2517	1	1	Lever Push Rod	
13	01-1267	1	1	Lock-Off Lever Assembly	
14	01-2560	1		Motor Housing	
15	4293	1	3	Filter Disc	
16	01-2016PT	1		Filter Retainer	
17	538PT	1	2	Ball Bearing	
18	7003PT	1		Rear End Plate (includes 1 Ref. 19)	
19	1041	2	2	Pin	
20	2255PT	1		Cylinder	
21	7654S	1		Rotor	
22	2017PT	1		Rotor Spacer	
23	Table "A"	4	12	Rotor Blade	
24	2256	1		Front End Plate (includes 1 Ref. 19)	
25	2488PT	1		Shim Packet	
26	500PT	1	2	Ball Bearing	
27	Table "A"	1		Lock Ring (Front Exhaust Models)	
28	2445PT	1		Lock Ring (Rear Exhaust Models)	
29	01-2047PT	1		Collet Guard (Long)	
30	01-2050PT	1		Collet Guard (Short)	

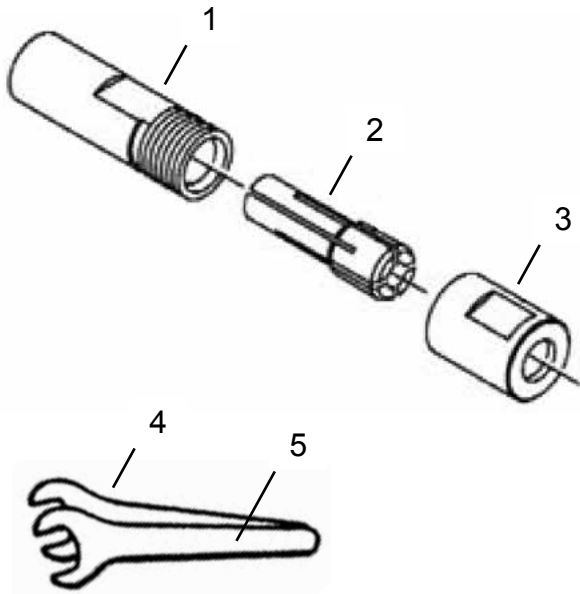
(#) Quantity

(X) Recommended Spare Parts (quantity shown based on 1-5 tools in operation)

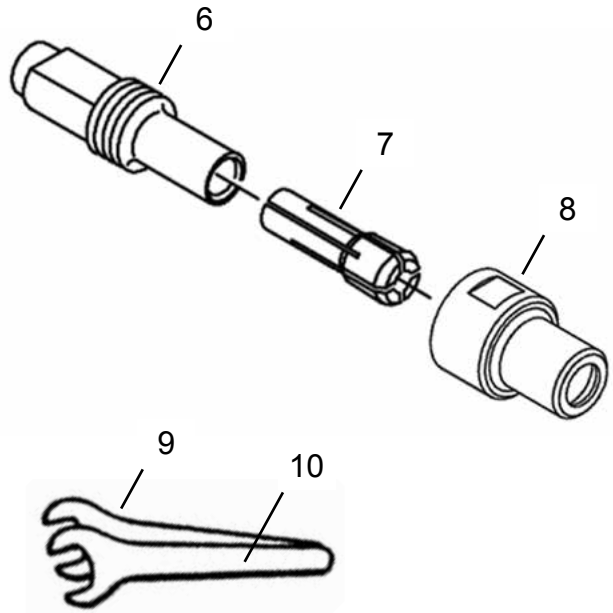
Table "A"

Ref.	Description	#	12(-)2500	#	12(-)2502	#	12(-)2580	#	12(-)2582
2	Inlet Adapter (w/o OH)	1	01-2505	1	01-2505	1	01-2505	1	01-2505
	Inlet Adapter (w/ OH)		-----		-----	1	01-1031	1	01-1031
23	Rotor Blade	4	2253PT	4	2906	4	2253PT	4	2906
27	Lock Ring	1	2014PT	1	7085PT		-----		-----

“B” Termination -01 (200 series collet)



Termination -36 (300 series collet)



Termination -77 (cone and plug wheel)

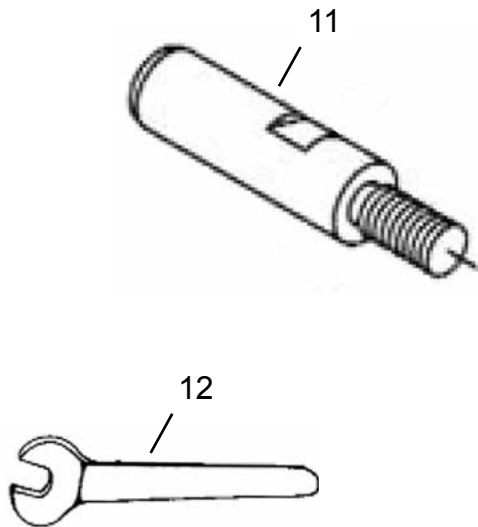


Illustration "B"

Ref	Number	#	X	EN
				Description
Termination: -01 (200 Series Collet)				
1	2054	1		Chuck Body
2	Table "B"	1	2	Collet (1/4" Standard)
3	2058PT	1		Collet Cap
4	14-0809	1		Wrench (9/16")
5	14-0812	1		Wrench (3/4")
Termination: -36 (300 Series Collet)				
6	1400PT	1		Chuck Body
7	Table "B1"	1	2	Collet (1/4" Standard)
8	208196PT	1		Nosepiece Cap
9	14-0807	1		Wrench (7/16")
10	14-0811	1		Wrench (11/16")
Termination: -77 (Type 16-19 Cone and Plug Wheel)				
11	7525PT	1		Cone Wheel Arbor
12	14-0810	1		Wrench (5/8")

(#) Quantity

(X) Recommended Spare Parts (quantity shown based on 1-5 tools in operation)

Table "B"

200 Series Optional Collets					
Part No.	Arbor Size	Part No.	Arbor Size	Part No.	Arbor Size
204	1/8"	208 *	1/4"	212	3/8"
205PT	5/32"	209	9/32"	213PT	6mm
206	3/16"	210PT	5/16"	216PT	8mm
207	7/32"	211PT	11/32"		

* Standard Collet

Table "B1"

300 Series Optional Collets					
Part No.	Arbor Size	Part No.	Arbor Size	Part No.	Arbor Size
301PT	3/64"	305PT	5/32"	310PT	6mm
302PT	5/64"	306PT	3/16"		
303	3/32"	308PT *	1/4"		
304PT	1/8"	311	3mm		

* Standard Collet

POWER TOOLS SALES & SERVICE CENTERS

Please note that all locations may not service all products.
Contact the nearest Apex Tool Group Sales & Service Center for the appropriate facility to handle your service requirements.

NORTH AMERICA | SOUTH AMERICA

Detroit, Michigan

Apex Tool Group
2630 Superior Court
Auburn Hills, MI 48236
Phone: +1 (248) 393-5640
Fax: +1 (248) 391-6295

Lexington, South Carolina

Apex Tool Group
670 Industrial Drive
Lexington, SC 29072
Phone: +1 (800) 845-5629
Phone: +1 (919) 387-0099
Fax: +1 (803) 358-7681

Louisville, Kentucky

Apex Tool Group
1000 Glengarry Drive
Suite 150
Fairdale, KY 40118
Phone: +1 (502) 708-3400
apexpowertools.com/service

Canada

Apex Tool Canada, Ltd.
7631 Bath Road
Mississauga, Ontario L4T 3T1
Canada
Phone: (866) 691-6212
Fax: (905) 673-4400

Mexico

Apex Tool Group
Manufacturing México
S. de R.L. de C.V.
Vialidad El Pueblito #103
Parque Industrial Querétaro
Querétaro, QRO 76220
Mexico
Phone: +52 (442) 211 3800
Fax: +52 (800) 685 5560

Brazil

Apex Tool Group
Ind. Com. Ferram, Ltda.
Av. Liberdade, 4055
Zona Industrial Iporanga
Sorocaba, São Paulo
CEP# 18087-170
Brazil
Phone: +55 15 3238 3820
Fax: +55 15 3238 3938

EUROPE | MIDDLE EAST | AFRICA

England

Apex Tool Group
GmbH & Co. OHG
C/O Spline Gauges
Piccadilly, Tamworth
Staffordshire B78 2ER
United Kingdom
Phone: +44 1827 8727 71
Fax: +44 1827 8741 28

France

Apex Tool Group S.A.S.
25 rue Maurice Chevalier
B.P. 28
77831 Ozoir-La-Ferrière
Cedex, France
Phone: +33 1 64 43 22 00
Fax: +33 1 64 43 17 17

Germany

Apex Tool Group
GmbH & Co. OHG
Industriestraße 1
73463 Westhausen
Germany
Phone: +49 (0) 73 63 81 0
Fax: +49 (0) 73 63 81 222

Hungary

Apex Tool Group
Hungária Kft.
Platánfa u. 2
9027 Győr
Hungary
Phone: +36 96 66 1383
Fax: +36 96 66 1135

ASIA PACIFIC

Australia

Apex Tool Group
519 Nurigong Street, Albury
NSW 2640
Australia
Phone: +61 2 6058 0300

China

Apex Power Tool Trading
(Shanghai) Co., Ltd
Building A8, No. 38
Dongsheng Road
Pudong, Shanghai
China 201201
Phone: +86 21 60880320
Fax: +86 21 60880298

India

Apex Power Tools India
Private Limited
Gala No. 1, Plot No. 5
S. No. 234, 235 & 245
Indialand Global
Industrial Park
Taluka-Mulsi, Phase I
Hinjawadi, Pune 411057
Maharashtra, India
Phone: +91 020 66761111

Japan

Apex Tool Group Japan
Korin-Kaikan 5F,
3-6-23 Shibakoen, Minato-Ku,
Tokyo 105-0011, JAPAN
Phone: +81-3-6450-1840
Fax: +81-3-6450-1841

Korea

Apex Tool Group Korea
#1503, Hibrand Living Bldg.,
215 Yangjae-dong,
Seocho-gu, Seoul 137-924,
Korea
Phone: +82-2-2155-0250
Fax: +82-2-2155-0252

Apex Tool Group, LLC

1000 Lufkin Road
Apex, NC 27539
Phone: +1 (919) 387-0099
Fax: +1 (919) 387-2614
www.apexpowertools.com

DOTCO®