

Parts Manual

45-8011

PL30-1020-1

04/21/2011



DOTCO[®]

10-20 Series
Heavy Duty Grinders



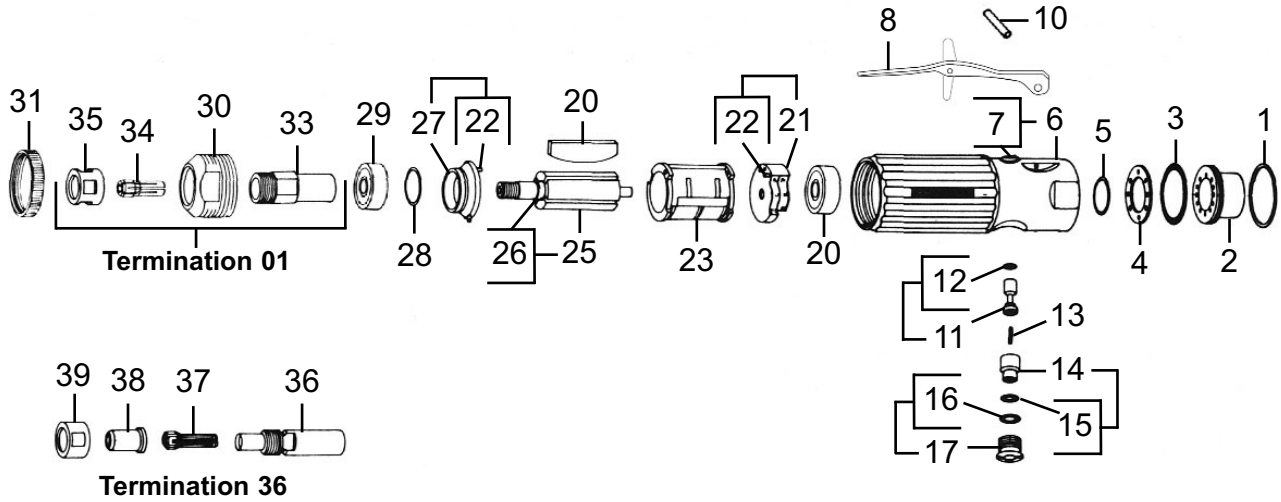
Throttle Type	Free Speed (RPM)			Terminations		
	25,000	20,000	18,000	200 Collet	300 Collet	Type 1
Button	10B2080	10B2081	10B2082	-01	-36	-16
Lock-Off Lever	10K2080	10K2081	10K2082	-01	-36	-16
Locking Lever	10L2080	10L2081	10L2082	-01	-36	-16
Locking Lever	10S2080	10S2081	10S2082	-01	-36	-16

For additional product information visit our website at <https://dotcotool.com/product-category/dotco-air-tools/dotco-grinders/dotco-inline-grinders/dotco-10-20-series-inline-grinders/>

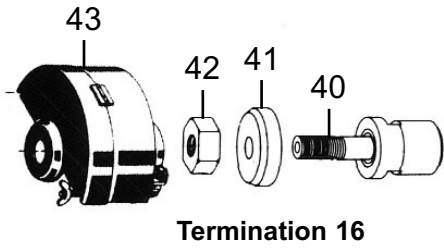
DOTCO Description

“A”

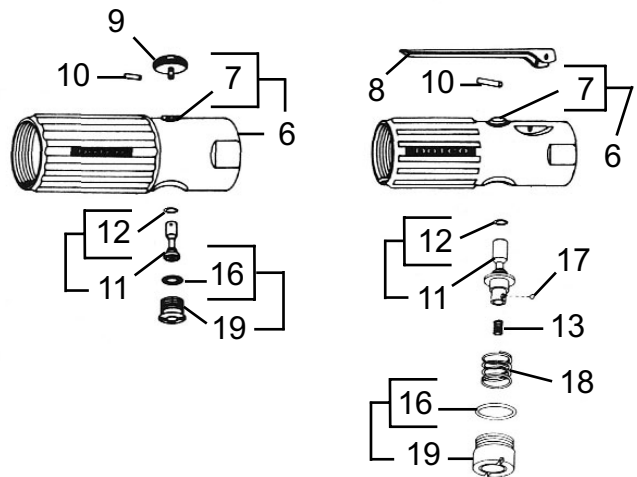
“L” & “S” Latching Lever Throttle



“B” Button Throttle



“K” Lock Off Lever Throttle



DOTCO Description

PL30-1020-1
May 31, 2006

Illustration "A" - Motor Assembly

Ref.	Number	#	●	Kit	EN	DE	FR	ES	IT
					Description	Benennung	Description	Descripción	Descrizione
1	2690	1			Retaining Ring	Sicherungsring	Anneau de fixation	Anillo de retención	Anello di fissaggio
2	2685	1			Muffler	Schalldämpfer	Silencieux	Silenciador	Silenziatore
3	1838	1			O-Ring	O-Ring	Joint torique	Anillo "O"	Anello ad O
4	Table A1	1			Baffle	Scheidewand	Défecteur	Desviador	Deflettore
5	Table A1	1			O-Ring	O-Ring	Joint torique	Anillo "O"	Anello ad O
6	Table A	1			Motor Housing	Motorgehäuse	Cage de moteur	Caja del motor	Corpo motore
7	Table A	1		K1	* Valve Bushing	Lagerbuchse	Douille	Casquillo	Boccola
8	Table A	1		K1	Lever	Hebel	Lever	Palanca	Leva
9	1039	1		K1	Button	Drucktaste	Bouton	Botón	Pulsante
10	Table A	1		K1	Pin	Stift	Goupille cylindrique	Pasador	Spina
11	Table A	1		K1	Valve Stem	Ventilschaft	Tige de soupape	Vástago de válvula	Asta valvola
12	2053	1		K1	O-Ring	O-Ring	Joint torique	Anillo "O"	Anello ad O
13	2015	1		K1	Valve Spring	Ventilfeder	Printemps de soupape	La Primavera de la válvula	Primavera di valvola
14	2011	1		K1	Speed Regulator	Regler	Régulateur	Regulador	Regolatore
15	1056	1		K1	O-Ring	O-Ring	Joint torique	Anillo "O"	Anello ad O
16	1057	1		K1	O-Ring	O-Ring	Joint torique	Anillo "O"	Anello ad O
17	4180	2		K1	Ball	Kugel	Bille	Bolas	Sfera
18	2413	1		K1	Spring	Druckfeder	Ressort	Resorte	Molla
19	Table A	1		K1	Plug Assembly	Buchse	Bouchon	Tapón	Spina
20	538	1		K2	Ball Bearing	Kugellager	Roulement à billes	Cojinete de bolas	Cuscinetto a sfera
21	02-7148	1			Bearing Plate	Tragplatte	Plaque de support	Placa de asiento	Piatello cuscinetto
22	1041	3		K2	Locating Pin	Stift	Goupille cylindrique	Pasador	Spina
23	2002	1			Cylinder	Zylinder	Cylindre	Cilindro	Cilindro
24	7005	1			Rotor	Rotor	Rotor	El rotor	Il rotore
25	Table A1	--		K2	Rotor Blade	Rotorblatt	Palette	Alabe del rotor	Paletta del rotore
26	2017	1		K2	Spacer	Distanzstück	Entretoise	Espaciador	Distanziale
27	2651	1			Bearing Plate	Tragplatte	Plaque de support	Placa de asiento	Piatello cuscinetto
28	2488	1		K2	Shim Packet	Unterlegstück	Cale pelable	Calzo	Spessore
29	500	1		K2	Ball Bearing	Kugellager	Roulement à billes	Cojinete de bolas	Cuscinetto a sfera
30	2445	1			Lock Ring	Verschlussring	Bague de verrouillage	Anillo de cierre	Anello di bloccaggio
31	2585	1		K3/4	Guard	Schutzvorrichtung	Protection	Guarda	Protezione
32	2020	1			Guard (Optional)	Schutzvorrichtung	Protection	Guarda	Protezione
Termination 01:									
33	2054	1			Collet Chuck Body	Futter Körper	Corps de trou	Bote el Cuerpo	Il Corpo di ciottolo
34	Table A2	1			Collet	Futter	Douille de serrage	Boquilla	Bussola di chiusura
35	2058	1		K3	Collet Chuck Cap	Kappe	Chapeau	Tapa	Cappello
Termination 36:									
36	1400	1			Collet Chuck Body	Futter Körper	Corps de trou	Bote el Cuerpo	Il Corpo di ciottolo
37	Table A2	1			Collet	Futter	Douille de serrage	Boquilla	Bussola di chiusura
38	1053	1		K4	Nosepiece	Kopfstück	Tuyère	Tobera	Naso
39	1058	1		K4	Collet Chuck Cap	Kappe	Chapeau	Tapa	Cappello
Terminations 16:									
40	7577	1			Adapter	Zwischenstück	Adaptateur	Adaptador	Adattatore
41	14-3052	1			Flange	Flansch	Rebord	Pestaña	Flangia
42	2057	1			Nut	Mutter	Ecrou	Tuerca	Dado
43	14-2595	1			3" Wheel Guard	Radschutz	Protection d'engrenage	Protector de rueda	Riparo mola

DOTCO Description

Continued Illustration "A" - Motor Assembly

Ref.	Number	#	●	Kit	EN	DE	FR	ES	IT
					Description	Benennung	Description	Descripción	Descrizione
Wrenches:									
44	14-0807	1			Wrench (7/16") -36	Schraubenschlüssel	Clé plate	La llave	La chiave
	14-0809	1			Wrench (9/16") -01/-16	Schraubenschlüssel	Clé plate	La llave	La chiave
	14-0811	1			Wrench (11/16") -36	Schraubenschlüssel	Clé plate	La llave	La chiave
	14-0812	1			Wrench (3/4") -01	Schraubenschlüssel	Clé plate	La llave	La chiave
	14-0814	1			Wrench (7/8") -16	Schraubenschlüssel	Clé plate	La llave	La chiave
Repair Kits:									
K1	Table A	1			Throttle Kit	Satz	Ensemble	Juego	Corredo
K2	Table A1	1			Motor Kit	Satz	Ensemble	Juego	Corredo
K3	04-0094	1			Output Kit	Satz	Ensemble	Juego	Corredo
K4	04-0093	1			Output Kit	Satz	Ensemble	Juego	Corredo

(#) Quantity / Stückzahl / Quantité / Cantidad / Quantità

- * Note: If necessary to replace valve bushing, press bushing, beveled end first, into threaded end of crosshole of motor housing. The valve bushing base should be .785" plus .000" minus .010" from counterbored shoulder of crosshole. Hone inside diameter of valve bushing to .3129" plus .0003" diameter.

Table "A"

Ref.	Description	Qty.	10B2080	Qty.	10K2080	Qty.	10(L)(S)2080
			10B2081 10B2082		10K2081 10K2082		10(L)(S)2081 10(L)(S)2082
6	Motor Housing	1	2698	1	2655	1	2655
7	Valve Bushing	1	2037	1	2007	1	2007
8	Lever		---	1	1019	1	01-1267
10	Pin	1	1055	1	1042	1	1042
11	Valve Stem	1	2038	1	2412	1	2008
19	Plug Assembly	1	2012	1	2411	1	2012
K1	Throttle Kit	1	04-0089	1	04-0087	1	04-0088

Table "A1"

Ref.	Description	Qty.	10B2080	Qty.	10B2081	Qty.	10B2082
			10K2080 10L2080 10S2080		10K2081 10L2081 10S2081		10K2082 10L2082 10S2082
4	Baffle		---	1	2277	1	2888
5	O-Ring		---	1	1109	1	1109
25	Rotor Blade	4	2006	4	2406	4	2406
K2	Motor Kit	1	04-0091	1	04-0092	1	04-0092

* Note: Rotor Blade Kits contain 50 pieces

Table "A2"

200 Series Optional Collets					
Part No.	Arbor Size	Part No.	Arbor Size	Part No.	Arbor Size
204	1/8"	208 *	1/4"	212	3/8"
205	5/32"	209	9/32"	213	6mm
206	3/16"	210	5/16"	216	8mm
207	7/32"	211	11/32"		
300 Series Optional Collets					
Part No.	Arbor Size	Part No.	Arbor Size	Part No.	Arbor Size
301	3/64"	305	5/32"	310	6mm
302	5/64"	306	3/16"		
303	3/32"	307	7/32"		
304	1/8"	308 *	1/4"		

* Standard Collet