

Parts Manual  
PL71-60RMR  
04/08/2011

**OMEGA TECHNOLOGIES**

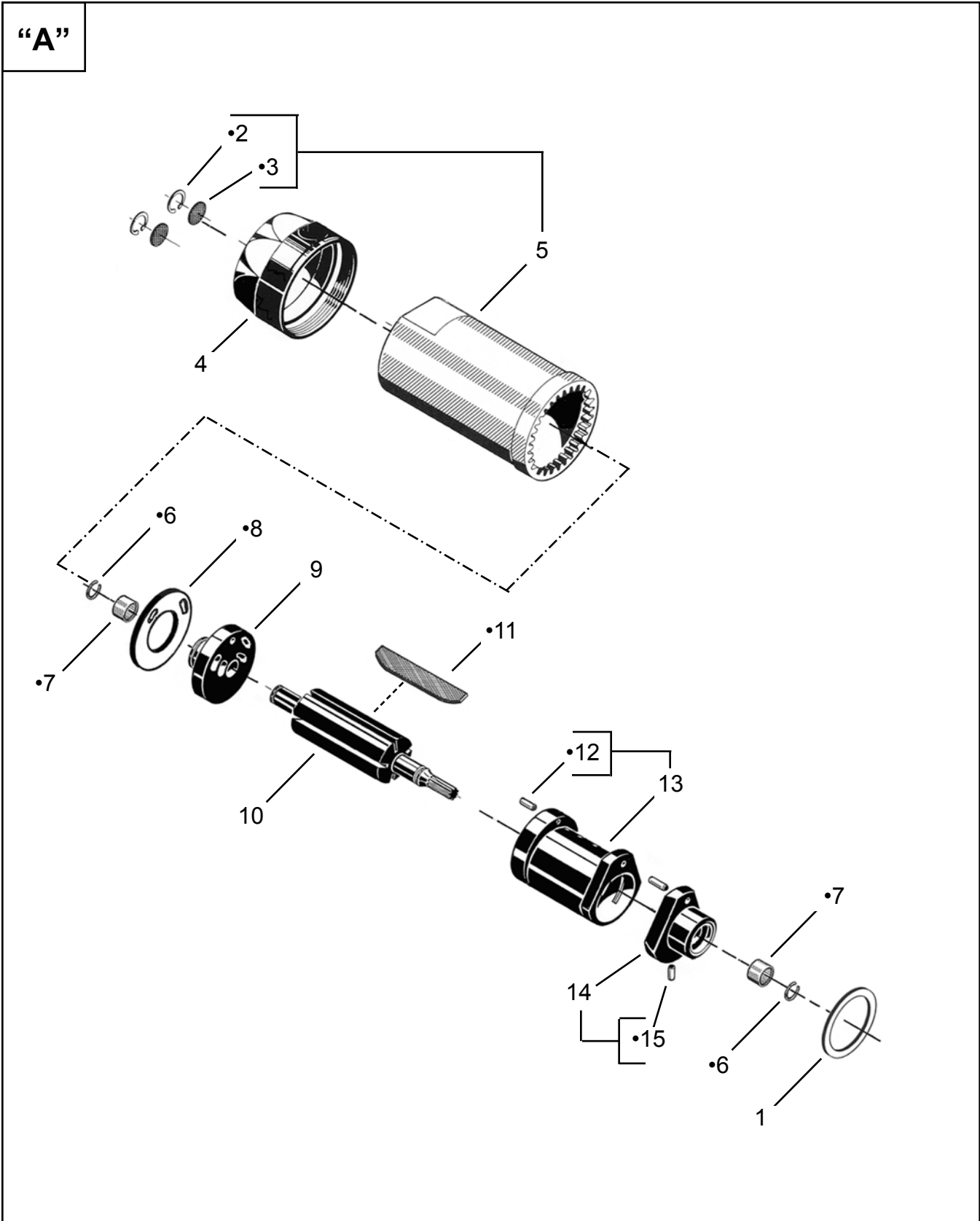
# Cleco®

**60R Series**  
Reversible Rotary Vane Power Motors



*For additional product information visit our website at:  
<https://dotcotool.com/product-category/cleco-tools/cleco-air-motors/cleco-60r-series-rotary-vane-air-motors/>*

# Cleco® Motor and Housing



## Motor and Housing

## Illustration "A" - Motor and Housing

Index	Number	#	●	EN	DE	FR	ES	IT
				Description	Benennung	Designation	Description	Description
1	520977	1		Stack-Up Washer	Scheibe	Rondelle	Arandela	Rondella
2	800065	2	4	Retaining Ring	Sicherungsring	Anneau de fixation	Anillo de retención	Anello di fissaggio
3	521210	2	4	Air Strainer	Seibträger	Filtre d'air	Filtro de aire	Filtro aria
4	520976	1		Lock Nut	Überwurfnutter	Contre-écrou môle	Tuerca de fijación	Dado di bloccaggio
5	520973	1		Motor Housing	Motorgehäuse	Cage de moteur	Caja del motor	Corpo motore
6	503521	2	4	Retaining Ring	Sicherungsring	Anneau de fixation	Anillo de retención	Anello di fissaggio
7	500511	2	4	Bearing	Lager	Coussinet	Cojinete	Cuscinetto
8	525176	1	3	Gasket	Dichtung	Joint d'étanchéité	Empaquetadura	Guanzibone
9	513291	1		Upper End Plate	Oberer Abschlußdeckel	Plaque d'extrémité supérieure	Placa de extremo superior	Piatello superiore
10	Table "A"	1		Rotor	Rotor	Rotor	Rotor	Rotore
11	513231	5	15	Rotor Blade	Rotoblatt	Pale de rotor	Alabe del rotor	Paletta del rotore
12	RPS119	2	4	Pin	Stift	Goujon	Pasador	Spina
13	513294	1		Cylinder	Zylinder	Cylindre	Cilindro	Cilindro
14	526710	1		Lower End Plate	Unterer Abschlußdeckel	Plaque d'extrémité inférieure	Placa de extremo inferior	Piatello inferiore
15	RPS106	1	3	Pin	Stift	Goujon	Pasador	Spina

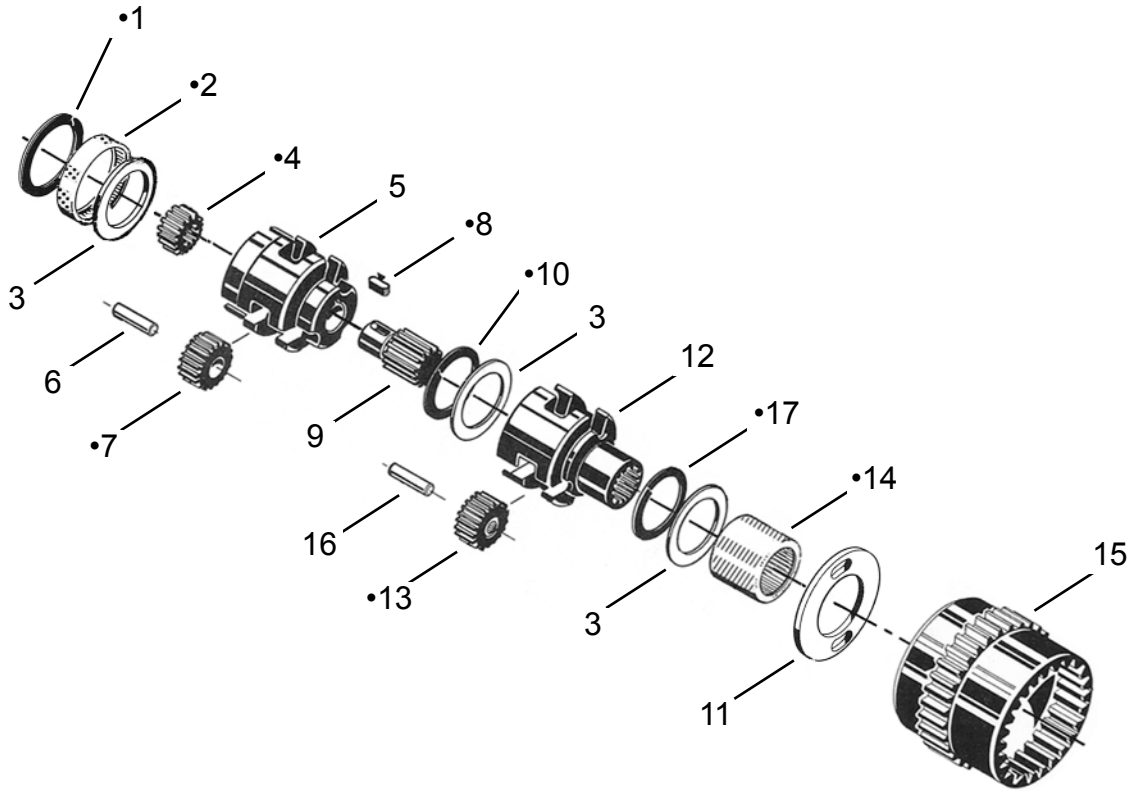
#) Quantity / Stückzahl / Quantité / Cantidad / Quantità

● Recommended Spare Parts / Kennzeichnet empfohlenes / Identifica un particolare di ricambio raccomandato / Designa el repuesto recomendado / Indique la pièce de rechange conseillée

Table "A"

Index #	Description	Qty.	60R201M	Qty.	60R203M	Qty.	60R204M
			60R200M		60R202M		
10	Rotor	1	513216	1	513214	1	513215

**“B”**



## Double Geared

## Illustration "B" - Double Geared

Index	Number	#	●	EN	DE	FR	ES	IT
				Description	Benennung	Designation	Description	Description
1	503350	1	2	Retaining Ring	Sicherungsring	Anneau de fixation	Anillo de retención	Anello difissaggio
2	500512	1	2	Bearing	Lager	Coussinet	Cojinete	Cuscinetto
3	502985	3		Thrust Washer	Druckscheibe	Rondelle de butée	Arandela de empuje	Rondella di spinta
4	Table "B"	1	2	Slip On Gear	Steckritzel	Pignon coulissant	Engranaje de deslizamiento	Ingranaggio slittante
5	513218	1		Upper Gear Cage	Planetenradträger	Cage d'engrenage	Jaula de engranajes	Gabbia ingranaggio
6	513233	3		Idler Pin	Zwischenradbolzen	Broche pour roue intermédiaire	Pñon loco	Perno dell'ingranaggio intermedio
7	Table "B"	3	6	Upper Idler Gear	Zwischenzahnrad	Engrenage secondaire	Engranaje secundario	Ingranaggio intermedio
8	60887	1	3	Key	Schlüssel	Clavette	Llave	Chiave
9	Table "B"	1		Short Spindle Gear	Spindelgetriebe	Engrenage de broche	Engranaje de husillo	Ingranaggio mandrino
10	800218	1	2	Retaining Ring	Sicherungsring	Anneau de fixation	Anillo de retención	Anello difissaggio
11	520979	1		Exhaust Plate	Platte	Plaque	Placa	Piatello
12	513217	1		Lower Gear Cage	Planetenradträger	Cage d'engrenage	Jaula de engranajes	Gabbia ingranaggio
13	Table "B"	3	6	Lower Idler Gear	Zwischenzahnrad	Engrenage secondaire	Engranaje secundario	Ingranaggio intermedio
14	800162	1	2	Bearing	Lager	Coussinet	Cojinete	Cuscinetto
15	520978	1		Gear Case	Getriebegehäuse	Couvre-engrenages	Caja de engranajes	Scatola ingranaggio
16	513236	3		Idler Pin	Zwischenradbolzen	Broche pour roue intermédiaire	Pñon loco	Perno dell'ingranaggio intermedio
17	800201	1	2	Retaining Ring	Sicherungsring	Anneau de fixation	Anillo de retención	Anello difissaggio

#) Quantity / Stückzahl / Quantité / Cantidad / Quantità

● Recommended Spare Parts / Kennzeichnet empfohlenes / Identifica un particolare di ricambio raccomandato / Designa el repuesto recomendado / Indique la pièce de rechange conseillée

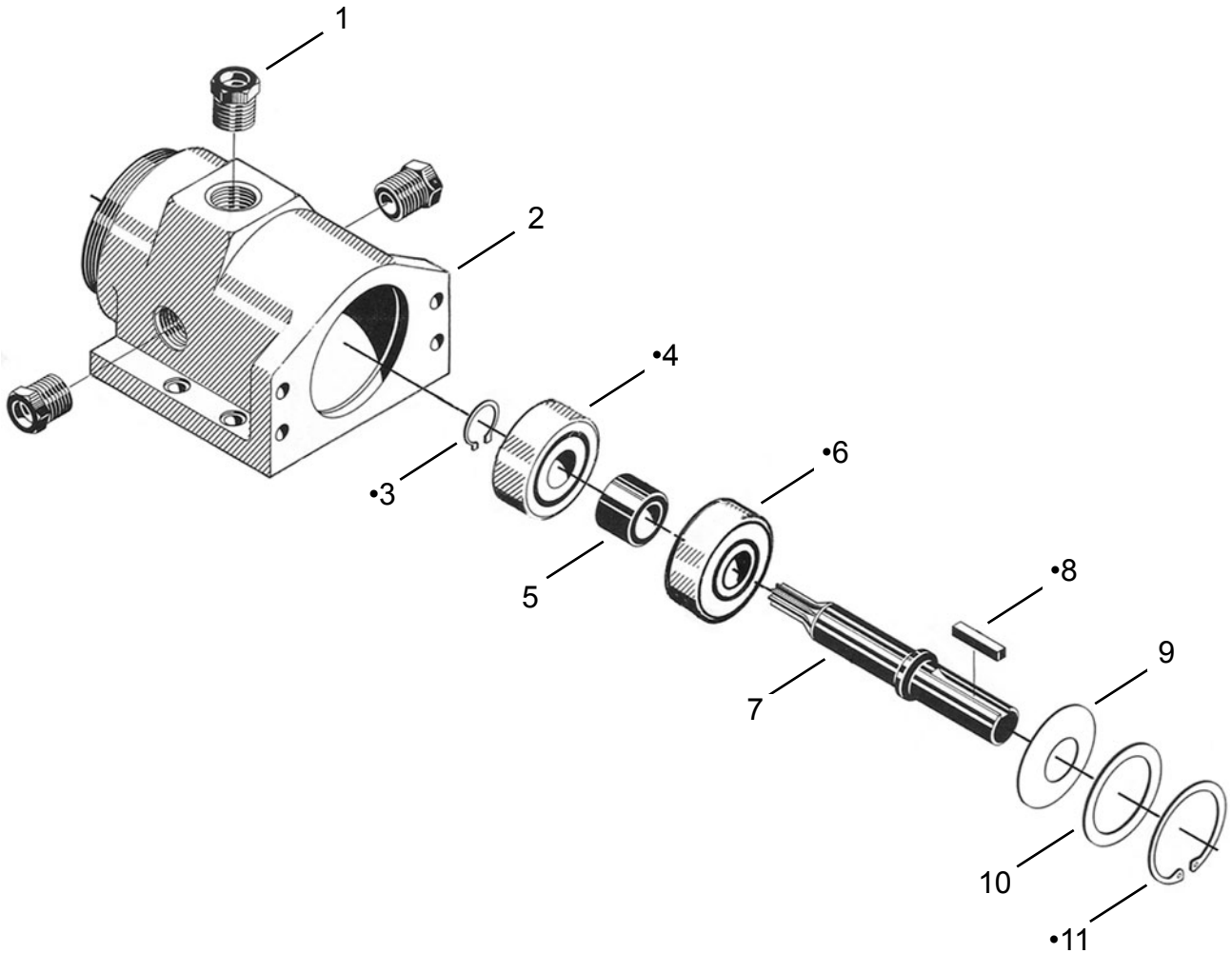
## Table "B"

Index #	Description	Qty.	60R204M	Qty.	60R203M	Qty.	60R202M	Qty.	60R201M	Qty.	60R200M
4	Slip On Gear		----		----		----	1	513241	1	513241
7	Upper Idler Gear	3	523534	3	523536	3	523536	3	523535	3	523535
9	Short Spindle Gear	1	513238	1	513238	1	513237	1	513239	1	513237
13	Lower Idler Gear	3	513228	3	513228	3	513226	3	513227	3	513226

(T) Teeth / Zähne / Dents / Dientes / Dente

# Cleco® Housing and Output Spindle

“C”



Extra Equipment



## Housing and Output Spindle

## Illustration "C" - Housing and Output Spindle

Index	Number	#	●	EN	DE	FR	ES	IT
				Description	Benennung	Designation	Description	Description
1	520959	3		Muffler	Schalldämpfer	Silencieux	Silenciador	Silenziatore
2	520975	1		Spindle Housing	Spindelgehäuse	Cage à pignons	Caja del husillo	Corpo mandrino
3	800141	1	2	Retaining Ring	Sicherungsring	Anneau de fixation	Anillo de retención	Anello di fissaggio
4	12P5	1	2	Bearing	Lager	Coussinet	Cojinete	Cuscinetto
5	520985	1		Spacer	Distanzstück	Entretoise	Espaciador	Distanziale
6	520980	1	2	Bearing	Lager	Coussinet	Cojinete	Cuscinetto
7	520986	1		Spindle	Spindel	Aibre	Husillo	Mandrino
8	512535	1	2	Key	Schlüssel	Clavette	Llave	Chiave
9	521208	1		Wave Washer	Wellenförmige unterlegscheibe	Rondele en onde	Arandela ondulada	Rondella ondulata
10	520984	1		Housing Washer	Scheibe	Rondele	Arandela	Rondella
11	800083	1	2	Retaining Ring	Sicherungsring	Anneau de fixation	Anillo de retención	Anello di fissaggio
12	520983	1		Pilot Ring	Zentrierung	Anneau pilote	Anillo piloto	Anello di centaggio

#) Quantity / Stückzahl / Quantité / Cantidad / Quantità

● Recommended Spare Parts / Kennzeichnet empfohlenes / Identifica un particolare di ricambio raccomandato / Designa el repuesto recomendado / Indique la pièce de rechange conseillée

## Sales & Service Centers

**Note:** All locations may not service all products. Please contact the nearest Sales & Service Center for the appropriate facility to handle your service requirements.

Dallas, TX  
**Apex Tool Group  
Sales & Service Center**  
1470 Post & Paddock  
Grand Prairie, TX 75050  
Tel: 972-641-9563  
Fax: 972-641-9674

Detroit, MI  
**Apex Tool Group  
Sales & Service Center**  
2630 Superior Court  
Auburn Hills, MI 48326  
Tel: 248-391-3700  
Fax: 248-391-7824

Houston, TX  
**Apex Tool Group  
Sales & Service Center**  
6550 West Sam Houston  
Parkway North, Suite 200  
Houston, TX 77041  
Tel: 713-849-2364  
Fax: 713-849-2047

Lexington, SC  
**Apex Tool Group**  
670 Industrial Drive  
Lexington, SC 29072  
Tel: 800-845-5629  
Tel: 803-951-7544  
Fax: 803-358-7681

Los Angeles, CA  
**Apex Tool Group  
Sales & Service Center**  
15503 Blackburn Avenue  
Norwalk, CA 90650  
Tel: 562-623-4457  
Fax: 562-802-1718

Seattle, WA  
**Apex Tool Group  
Sales & Service Center**  
2865 152nd Avenue N.E.  
Redmond, WA 98052  
Tel: 425-497-0476  
Fax: 425-497-0496

York, PA  
**Apex Tool Group  
Sales & Service Center**  
3990 East Market Street  
York, PA 17402  
Tel: 717-755-2933  
Fax: 717-757-5063

Canada  
**Apex Tool Group  
Sales & Service Center**  
5925 McLaughlin Road  
Mississauga, Ont. L5R 1B8  
Canada  
Tel: 905-501-4785  
Fax: 905-501-4786

Germany  
Cooper Power Tools  
GmbH & Co. OHG  
a company of  
Apex Tool Group, LLC  
Industriestraße 1  
73463 Westhausen  
Germany  
Tel: +49 (0) 73 63 81 0  
Fax: +49 (0) 73 63 81 222

England  
Cooper Power Tools  
GmbH & Co. OHG  
a company of  
Apex Tool Group, LLC  
C/O Spline Gauges  
Piccadilly, Tamworth  
Staffordshire B78 2ER  
United Kingdom  
Tel: +44 1827 8741 28  
Fax: +44 1827 8741 28

France  
Cooper Power Tools SAS  
a company of  
Apex Tool Group, LLC  
25 rue Maurice Chevalier  
77330 Ozoir-La-Ferrière  
France  
Tel: +33 1 6443 2200  
Fax: +33 1 6443 1717

China  
Cooper (China) Co., Ltd.  
a company of  
Apex Tool Group, LLC  
955 Sheng Li Road,  
Heqing Pudong, Shanghai  
China 201201  
Tel: +86-21-28994176  
Fax: +86-21-51118446

Mexico  
Cooper Tools  
de México S.A. de C.V.  
a company of  
Apex Tool Group, LLC  
Vialidad El Pueblito #103  
Parque Industrial Querétaro  
Querétaro, QRO 76220  
Mexico  
Tel: +52 (442) 211-3800  
Fax: +52 (442) 103-0443

Brazil  
Cooper Tools Industrial Ltda.  
a company of  
Apex Tool Group, LLC  
Av. Liberdade, 4055  
Zona Industrial - Iporanga  
SP Brazil  
Tel: +55 15 2383929  
Fax: +55 15 2383260

Hungary  
Cooper Tools Hungaria Kft.  
a company of  
Apex Tool Group, LLC  
Berkenyefa sor 7  
Pf: 640  
9027 Győr  
Hungary  
Tel: +36 96 66 1383  
Fax: +36 96 66 1135

Apex Tool Group, LLC  
1000 Lufkin Road  
Apex, NC 27539  
Phone: 919-387-0099  
Fax: 919-387-2614  
www.apextoolgroup.com

# Cleco®