

Parts Manual
PL71-61MF-911
04/08/2011

Cleco®

OMEGA TECHNOLOGIES

61MF-910 Series
Non-Reversible Rotary Vane Power Motors



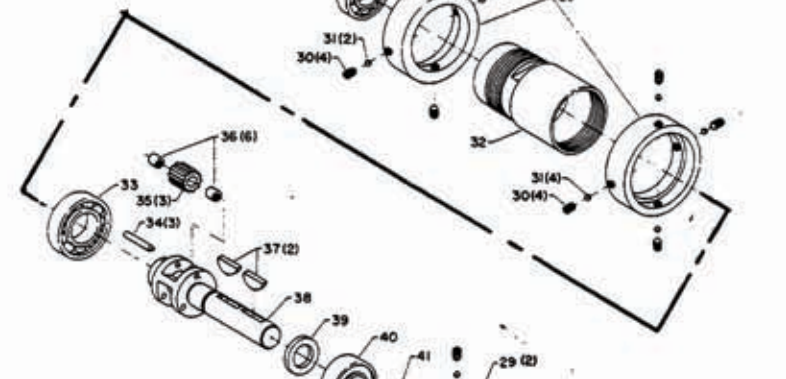
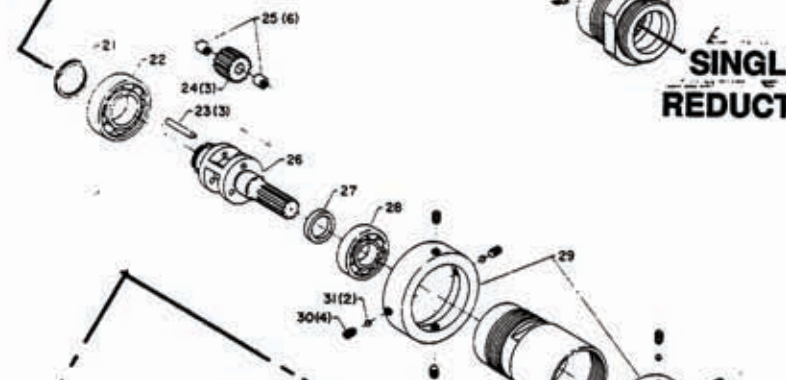
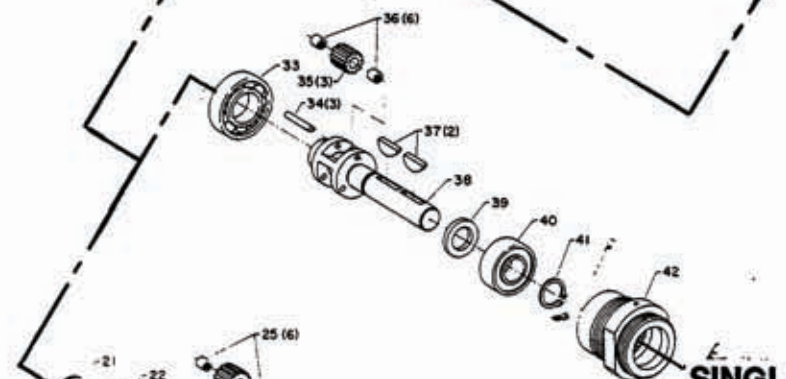
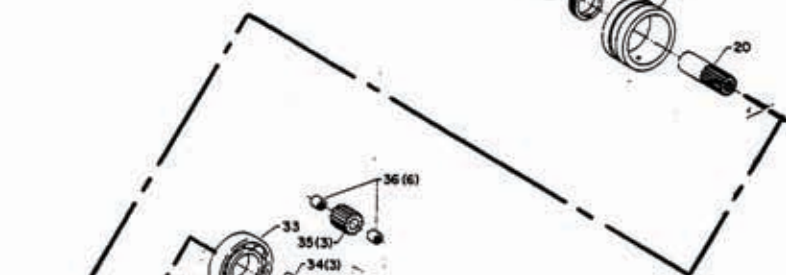
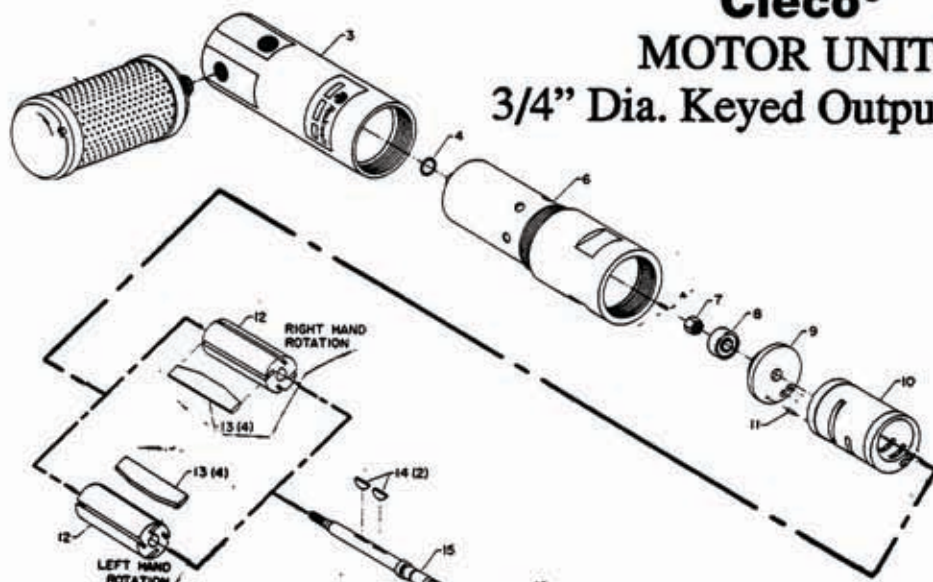
*For additional product information visit our website at:
<https://dotcotool.com/product-category/cleco-tools/cleco-air-motors/cleco-61mf-series-rotary-vane-air-motors/>*

Cleco®

MOTOR UNITS

3/4" Dia. Keyed Output Spindle

61MFN911M
61MFN912M
61MFN913M
61MFN914M
61MFN915M



**SINGLE
REDUCTION**

**DOUBLE
REDUCTION**

REF. NO.	PART NO.	DESCRIPTION
1	1015870	Muffler
3	1015620	Rear Head
4	1010043	O-Ring
6	1015616	Motor Housing
7	1010134	Hex Nut
8	1009017	Ball Bearing
9	1008935	Rear Plate (61MF Series)
	1009195	Rear Plate (61ML Series)
10	1008864	Cylinder (61MF Series)
	1009191	Cylinder (61ML Series)
11	1013933	Pin (Incl. in #10)
12	1008865	Rotor (61MF Series)
	1013622	Rotor (61ML Series)
13	1008867	(4) Rotor Blade
14	1001473	(2) Woodruff Key
15	1009324	Rotor Shaft
16	1009323	Front Plate
17	1009015	Ball Bearing
18	1004639	Bearing Retainer
19	1009550	Spacer
20	1015667	Pinion (61MF/ML-911,13)
12	1009530	Retaining Ring (61MF/ML-913,14,15)
22	1009333	Ball Bearing (61MF/ML-913,14,15)
23	1009331	(3) Planet Pin (61MF/ML-913,14,15)
24	1009594	(3) Planet Gear (61MF/ML-913)
	1009332	(3) Planet Gear (61MF/ML-914,15)
25	1009303	(6) Needle Bearing (61MF/ML-913,14,15)
26	1009601	Planet Cage (61MF/ML-913)
	1009598	Planet Cage (61MF/ML-914)
	1009599	Planet Cage (61MF/ML-915)
27	1009593	Planet Cage Washer (61MF/ML-913)
	1009592	Planet Cage Washer (61MF/ML-914,15)
28	1005003	Ball Bearing (61MF/ML-913,14,15)
29	1016054	Lock Collar (61MF/ML-913,14,15)
	1015665	Lock Collar (61MF/ML-911,12)
30	1008344	Set Screw (61ML Series)
31	1015675	Pad (61ML Series)
32	1013858	Internal Gear (61MF/ML-913,14,15)
33	1009333	Ball Bearing
34	1009331	(3) Planet Pin
(n) 35	1009594	(3) Planet Gear (61MF/ML-911,13,14)
	1009332	(3) Planet Gear (61MF/ML-912,15)
36	1009303	(6) Needle Bearing
37	1001311	(2) Woodruff Key
38	1015643	Planet Cage (61MF/ML-911,13,14), Incl:
*	1015356	Retaining Ring (61MF/ML-911,13,14) Current Model
*	1015644	Planet Cage (61MF/ML-912,15), Incl:
*	1015357	Retaining Ring (61MF/ML-912,15) Current Model
39	1009593	Planet Cage Washer (61MF/ML-911,13,14) Early Model
	1009592	Planet Cage Washer (61MF/ML-912,15) Early Model
40	1010135	Ball Bearing
41	1012796	Retaining Ring
42	1015641	Internal Gear
(n)	NEW PART	
(*)	PART NOT SHOWN	

SERVICE NOTES

Catalog Number	Spindle Speed (rpm)	Spindle Rotation
61MFN911M	3,750	Right Hand
61MFN912M	1,850	
61MFN913M	875	
61MFN914M	450	
61MFN915M	225	

FEATURES

Right Hand Rotation Motor (**61MF**)
Left Hand Rotation Motor (**61ML**)
3/4" Diameter Keyed Spindle
3/4 horsepower

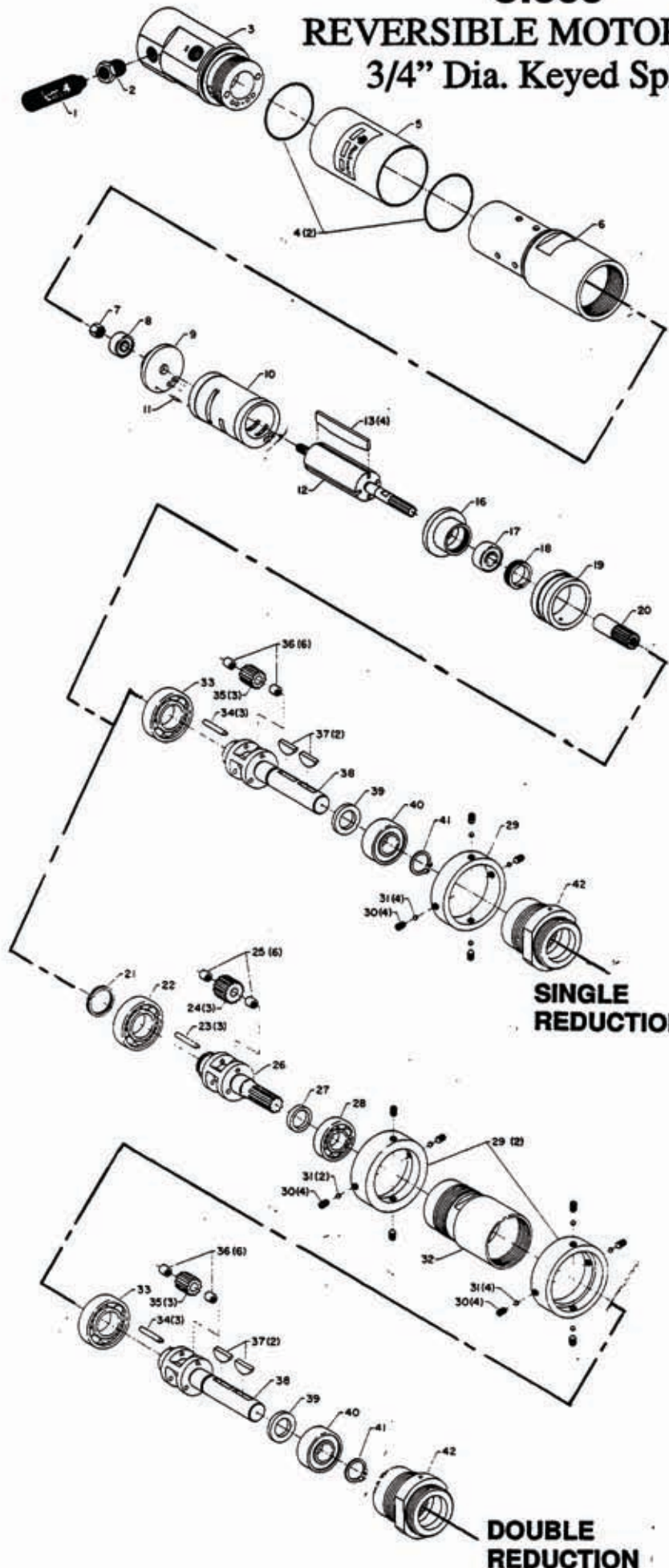
POWER SOURCE

Requirements: 90–100 PSI air pressure,
minimum 3/8" I.D. hose,
air inlet thread size: 3/8" NPT

Cleco®

REVERSIBLE MOTOR UNITS
3/4" Dia. Keyed Spindle

61MRR911M
61MRR912M
61MRR913M
61MRR914M
61MRR905M



SINGLE REDUCTION

DOUBLE REDUCTION

REF. NO. PART NO. DESCRIPTION

REF. NO.	PART NO.	DESCRIPTION
1	1015869	Muffler
2	1014706	Bushing
3	1015671	Rear Head
4	1010229	O-Ring
5	1015646	Exhaust Sleeve
6	1015670	Motor Housing
7	1008723	Hex Nut
8	1009017	Ball Bearing
9	1015645	Rear Plate
10	1023798	Cylinder, Incl: #11
11	1008265	Pin
12	1017515	Rotor
13	1017514	Rotor Blade
16	1009323	Front Plate
17	1009015	Ball Bearing
18	1004639	Bearing Retainer
19	1009550	Spacer
20	1015667	Pinion (61MR-911,13)
21	1009530	Retaining Ring (61MR-913,14,15)
22	1009333	Ball Bearing (61MR-913,14,15)
23	1009331	Planet Pin (61MR-913,14,15)
24	1009594	Planet Gear (61MR-913)
	1009332	Planet Gear (61MR-914,15)
25	1009303	Needle Bearing (61MR-913,14,15)
26	1009601	Planet Cage (61MR-913)
	1009598	Planet Cage (61MR-914)
	1009599	Planet Cage (61MR-915)
27	1009593	Planet Cage Washer (61MR-913)
	1009592	Planet Cage Washer (61MR-914,15)
28	1005003	Ball Bearing (61MR-913,14,15)
29	1016054	Locking Collar (61MR-913,14,15)
	1015665	Locking Collar (61MR-911,12)
30	1008344	Set Screw
31	1015675	Pad
32	1013858	Internal Gear (61MR-913,14,15)
33	1009333	Ball Bearing
34	1009331	Planet Pin
35	1009594	Planet Gear (61MR-911,13,14)
	1009332	Planet Gear (61MR-912,15)
36	1009303	Needle Bearing
37	1001311	Woodruff Key
38	1015643	Planet Cage (61MR-911,13,14), Incl:
(n)	1015356	Retaining Ring (61MR-911,13,14) Current Model
(n)	1015644	Planet Cage (61MR-912,15), Incl:
	1015357	Retaining Ring (61MR-912,15) Current Model
39	1009593	Planet Cage Washer (61MR-911,13,14) Early Model
	1009592	Planet Cage Washer (61MR-912,15) Early Model
40	1010135	Ball Bearing
41	1012796	Retaining Ring
42	1015641	Internal Gear
(n)		NEW PART
(*)		PART NOT SHOWN

SERVICE NOTES

Catalog Number	Spindle Speed (rpm)	Spindle Rotation
61MRR911M	3,400	Reversible
61MRR912M	1,700	
61MRR913M	825	
61MRR914M	400	
61MRR905M	200	

FEATURES

Reversible Motor
3/4" Diameter Keyed Spindle
3/4 horsepower

POWER SOURCE

Requirements: 90-100 PSI air pressure,
minimum 3/8" I.D. hose,
air inlet thread size: 3/8" NPT

TO CONVERT "A" MODELS TO "B" MODELS:

Remove

Ref. No.	Part No.	Description
12	1012094	Rotor
13	1009469	(4) Rotor Blades

Add

Ref. No.	Part No.	Description
12	1017515	Rotor
13	1017514	(4) Rotor Blades

Sales & Service Centers

Note: All locations may not service all products. Please contact the nearest Sales & Service Center for the appropriate facility to handle your service requirements.

Dallas, TX
**Apex Tool Group
Sales & Service Center**
1470 Post & Paddock
Grand Prairie, TX 75050
Tel: 972-641-9563
Fax: 972-641-9674

Detroit, MI
**Apex Tool Group
Sales & Service Center**
2630 Superior Court
Auburn Hills, MI 48326
Tel: 248-391-3700
Fax: 248-391-7824

Houston, TX
**Apex Tool Group
Sales & Service Center**
6550 West Sam Houston
Parkway North, Suite 200
Houston, TX 77041
Tel: 713-849-2364
Fax: 713-849-2047

Lexington, SC
Apex Tool Group
670 Industrial Drive
Lexington, SC 29072
Tel: 800-845-5629
Tel: 803-951-7544
Fax: 803-358-7681

Los Angeles, CA
**Apex Tool Group
Sales & Service Center**
15503 Blackburn Avenue
Norwalk, CA 90650
Tel: 562-623-4457
Fax: 562-802-1718

Seattle, WA
**Apex Tool Group
Sales & Service Center**
2865 152nd Avenue N.E.
Redmond, WA 98052
Tel: 425-497-0476
Fax: 425-497-0496

York, PA
**Apex Tool Group
Sales & Service Center**
3990 East Market Street
York, PA 17402
Tel: 717-755-2933
Fax: 717-757-5063

Canada
**Apex Tool Group
Sales & Service Center**
5925 McLaughlin Road
Mississauga, Ont. L5R 1B8
Canada
Tel: 905-501-4785
Fax: 905-501-4786

Germany
Cooper Power Tools
GmbH & Co. OHG
a company of
Apex Tool Group, LLC
Industriestraße 1
73463 Westhausen
Germany
Tel: +49 (0) 73 63 81 0
Fax: +49 (0) 73 63 81 222

England
Cooper Power Tools
GmbH & Co. OHG
a company of
Apex Tool Group, LLC
C/O Spline Gauges
Piccadilly, Tamworth
Staffordshire B78 2ER
United Kingdom
Tel: +44 1827 8741 28
Fax: +44 1827 8741 28

France
Cooper Power Tools SAS
a company of
Apex Tool Group, LLC
25 rue Maurice Chevalier
77330 Ozoir-La-Ferrière
France
Tel: +33 1 6443 2200
Fax: +33 1 6443 1717

China
Cooper (China) Co., Ltd.
a company of
Apex Tool Group, LLC
955 Sheng Li Road,
Heqing Pudong, Shanghai
China 201201
Tel: +86-21-28994176
Fax: +86-21-51118446

Mexico
Cooper Tools
de México S.A. de C.V.
a company of
Apex Tool Group, LLC
Vialidad El Pueblito #103
Parque Industrial Querétaro
Querétaro, QRO 76220
Mexico
Tel: +52 (442) 211-3800
Fax: +52 (442) 103-0443

Brazil
Cooper Tools Industrial Ltda.
a company of
Apex Tool Group, LLC
Av. Liberdade, 4055
Zona Industrial - Iporanga
SP Brazil
Tel: +55 15 2383929
Fax: +55 15 2383260

Hungary
Cooper Tools Hungaria Kft.
a company of
Apex Tool Group, LLC
Berkenyefa sor 7
Pf: 640
9027 Győr
Hungary
Tel: +36 96 66 1383
Fax: +36 96 66 1135

Apex Tool Group, LLC
1000 Lufkin Road
Apex, NC 27539
Phone: 919-387-0099
Fax: 919-387-2614
www.apextoolgroup.com

Cleco®