



CAUTION!

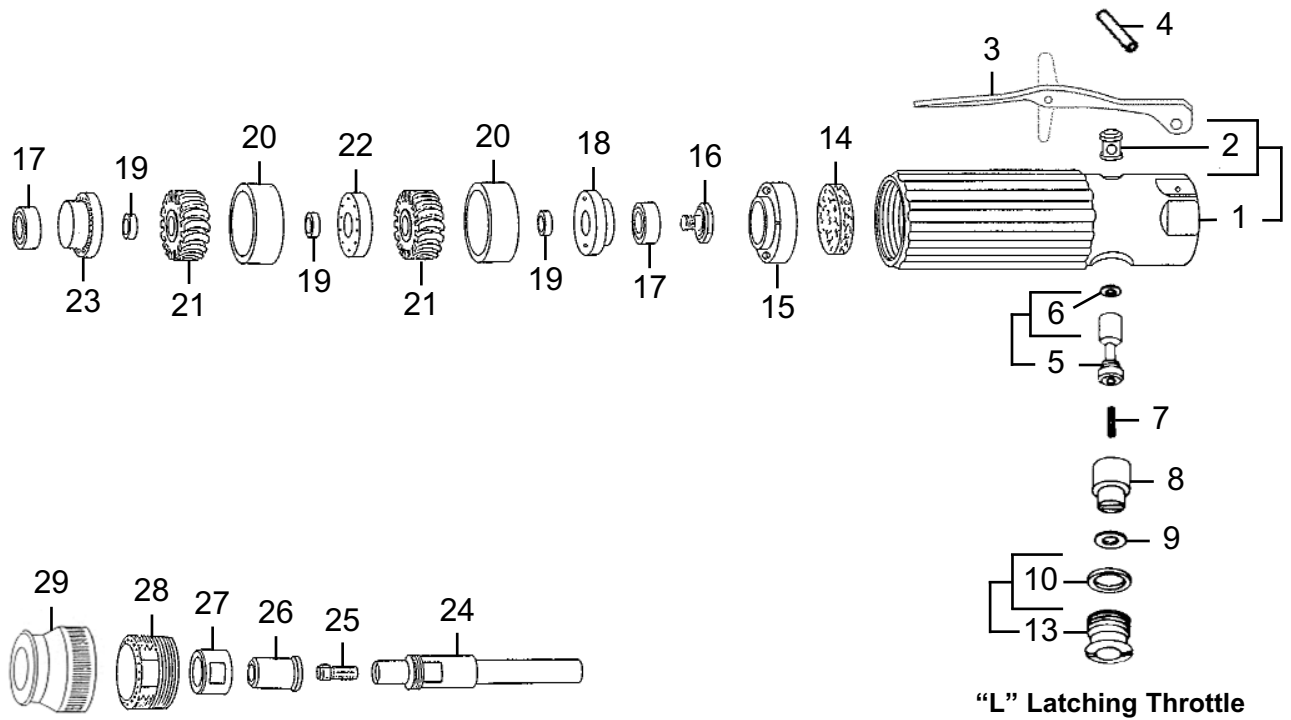


Do Not Lubricate This Tool!

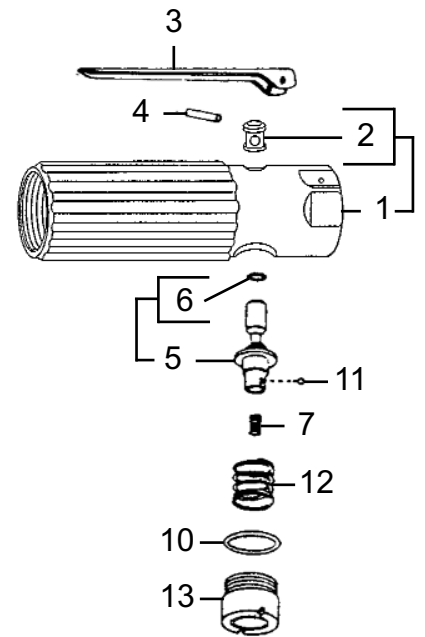
Model Number	Speed RPM	Collet Size	Length		Weight	
			in.	mm	Lbs.	kgs
10K9500-36	80,000	1/8"	5.8	147	1.9	0.9
10L9500-36	80,000	1/8"	5.8	147	1.9	0.9

DOTCO
10-9500 Series Turbine Precision Grinder

“A”



“L” Latching Throttle



“K” Lock-Off Lever Throttle

CAUTION

Do not lubricate. Lubrication will be detrimental to the operation and life of the tool.

Do not use quick-disconnect fitting attached directly to the tool.

WARNING

Maximum extension for 1/4" diameter burr is 1-1/2",
1/8" diameter burr is 3/4".

DO NOT USE GRINDING WHEELS.

High speed can cause grinding wheels to break and may cause personal injury.

DOTCO

10-9500 Series Turbine Precision Grinder

PL30-1095
December 1, 2006

Illustration "A" - 10-95 Series Grinder

Ref.	Number	#	●	Kit	EN	DE	FR	ES	IT
					Description	Benennung	Description	Descripción	Descrizione
1	9501	1			Motor Housing	Motorgehäuse	Cage de moteur	Caja del motor	Corpo motore
2	2007	1			Valve Bushing	Lagerbuchse	Douille	Casquillo	Boccola
3	Table A	1			Lever	Hebel	Levier	Palanca	Leva
4	1042	1			Pin	Stift	Goupille cylindrique	Pasador	Spina
5	Table A	1			Valve Stem	Ventilschaft	Tige de soupape	Vástago de válvula	Asta valvola
6	2053	1			O-Ring	O-Ring	Joint torique	Anillo "O"	Anello ad O
7	2015	1			Valve Spring	Ventilfeder	Printemps de soupape	La Primavera de la válvula	Primavera di valvola
8	2011	1			Speed Regulator	Regler	Régulateur	Regulador	Regolatore
9	1056	1			O-Ring	O-Ring	Joint torique	Anillo "O"	Anello ad O
10	1057	1			O-Ring	O-Ring	Joint torique	Anillo "O"	Anello ad O
11	4180	2			Ball	Kugel	Bille	Bolas	Sfera
12	2413	1			Spring	Druckfeder	Ressort	Resorte	Molla
13	Table A	1			Plug Assembly	Montage	Assemblage	Ensamblaje	Assemblaggio
14	4293	1			Filter Disc	Filter	Filtre	Filtro	Filtro
15	9509	1			Housing Spacer	Distanzstück	Entretoise	Espaciador	Distanziale
16	9511	1			Screw	Schraube	Vís	Tornillo	Vite
17	522	2			Bearing	Lager	Coussinet	Cojinete	Cuscinetto
18	9503	1			Rear Bearing Plate	Tragplatte	Plaque de support	Placa de asiento	Piattello cuscinetto
19	9507	3			Spacer	Distanzstück	Entretoise	Espaciador	Distanziale
20	9508	2			Spacer	Distanzstück	Entretoise	Espaciador	Distanziale
21	9506	2			Impeller				
22	9502	1			Stator				
23	9504	1			Front Bearing Plate	Tragplatte	Plaque de support	Placa de asiento	Piattello cuscinetto
24	9505	1			Spindle	Spindel	Arbre	Husillo	Mandrino
25	304	1			Collet (1/8")	Futter	Douille de serrage	Boquilla	Bussola di chiusura
26	1053	1			Nosepiece	Kopfstück	Tuyère	Tobera	Naso
27	1058	1			Collet Chuck Cap	Kappe	Chapeau	Tapa	Cappello
28	2014	1			Lock Ring	Verschlussring	Bague de verrouillage	Anillo de cierre	Anello di bloccaggio
29	9510	1			Collet Guard	Schutzvorrichtung	Protection	Guarda	Protezione

(#) Quantity / Stückzahl / Quantité / Cantidad / Quantità

Table "A"

Ref.	Description	Qty.	10K9500	Qty.	10L9500
3	Lever	1	1019	1	01-1267
5	Valve Stem	1	2412	1	2008
13	Plug Assembly	1	2411	1	2012

Sales & Service Centers

Note: All locations may not service all products. Please contact the nearest Sales & Service Center for the appropriate facility to handle your service requirements.

Dallas, TX
**Apex Tool Group
Sales & Service Center**
1470 Post & Paddock
Grand Prairie, TX 75050
Tel: 972-641-9563
Fax: 972-641-9674

Detroit, MI
**Apex Tool Group
Sales & Service Center**
2630 Superior Court
Auburn Hills, MI 48326
Tel: 248-391-3700
Fax: 248-391-7824

Houston, TX
**Apex Tool Group
Sales & Service Center**
6550 West Sam Houston
Parkway North, Suite 200
Houston, TX 77041
Tel: 713-849-2364
Fax: 713-849-2047

Lexington, SC
Apex Tool Group
670 Industrial Drive
Lexington, SC 29072
Tel: 800-845-5629
Tel: 803-951-7544
Fax: 803-358-7681

Los Angeles, CA
**Apex Tool Group
Sales & Service Center**
15503 Blackburn Avenue
Norwalk, CA 90650
Tel: 562-623-4457
Fax: 562-802-1718

Seattle, WA
**Apex Tool Group
Sales & Service Center**
2865 152nd Avenue N.E.
Redmond, WA 98052
Tel: 425-497-0476
Fax: 425-497-0496

York, PA
**Apex Tool Group
Sales & Service Center**
3990 East Market Street
York, PA 17402
Tel: 717-755-2933
Fax: 717-757-5063

Canada
**Apex Tool Group
Sales & Service Center**
5925 McLaughlin Road
Mississauga, Ont. L5R 1B8
Canada
Tel: 905-501-4785
Fax: 905-501-4786

Germany
Cooper Power Tools
GmbH & Co. OHG
a company of
Apex Tool Group, LLC
Industriestraße 1
73463 Westhausen
Germany
Tel: +49 (0) 73 63 81 0
Fax: +49 (0) 73 63 81 222

England
Cooper Power Tools
GmbH & Co. OHG
a company of
Apex Tool Group, LLC
C/O Spline Gauges
Piccadilly, Tamworth
Staffordshire B78 2ER
United Kingdom
Tel: +44 1827 8741 28
Fax: +44 1827 8741 28

France
Cooper Power Tools SAS
a company of
Apex Tool Group, LLC
25 rue Maurice Chevalier
77330 Ozoir-La-Ferrière
France
Tel: +33 1 6443 2200
Fax: +33 1 6443 1717

China
Cooper (China) Co., Ltd.
a company of
Apex Tool Group, LLC
955 Sheng Li Road,
Heqing Pudong, Shanghai
China 201201
Tel: +86-21-28994176
Fax: +86-21-51118446

Mexico
Cooper Tools
de México S.A. de C.V.
a company of
Apex Tool Group, LLC
Vialidad El Pueblito #103
Parque Industrial Querétaro
Querétaro, QRO 76220
Mexico
Tel: +52 (442) 211-3800
Fax: +52 (442) 103-0443

Brazil
Cooper Tools Industrial Ltda.
a company of
Apex Tool Group, LLC
Av. Liberdade, 4055
Zona Industrial - Iporanga
SP Brazil
Tel: +55 15 2383929
Fax: +55 15 2383260

Hungary
Cooper Tools Hungaria Kft.
a company of
Apex Tool Group, LLC
Berkenyefa sor 7
Pf: 640
9027 Győr
Hungary
Tel: +36 96 66 1383
Fax: +36 96 66 1135

Apex Tool Group, LLC
1000 Lufkin Road
Apex, NC 27539
Phone: 919-387-0099
Fax: 919-387-2614
www.apextoolgroup.com

DOTCO®