

**Parts Manual**

**45-8201**

PL30-1242-2

04/21/2011

**DOTCO®**

**12-42 Series**  
Saw



|   | 12 | S | 4 | 2 | XX | - | XX |
|---|----|---|---|---|----|---|----|
| Product Classification                          |    |   |   |   |    |   |    |
| 12 = Ergo Handle                                |    |   |   |   |    |   |    |
| Trottle Type                                    |    |   |   |   |    |   |    |
| S = Locking Lever                               |    |   |   |   |    |   |    |
| Motor Size                                      |    |   |   |   |    |   |    |
| 4 = 1.7 hp                                      |    |   |   |   |    |   |    |
| Handle Style                                    |    |   |   |   |    |   |    |
| 2 = Straight                                    |    |   |   |   |    |   |    |
| Speed Options (RPM)                             |    |   |   |   |    |   |    |
| 23 = 5,600                                      |    |   |   |   |    |   |    |
| 24 = 7,000                                      |    |   |   |   |    |   |    |
| 25 = 8,000                                      |    |   |   |   |    |   |    |
| Termination Code                                |    |   |   |   |    |   |    |
| 01 = Porta-Bag (Vacuum bag on tool), 3/4" Arbor |    |   |   |   |    |   |    |
| 02 = Saw with Floor Bag                         |    |   |   |   |    |   |    |
| 03 = Saw (only), Vacuum type with Adapter       |    |   |   |   |    |   |    |

For additional product information visit our website at <http://www.apextoolgroup.com>

## SAFETY FIRST!

### ALWAYS COMPLY WITH:

1. General Industry Safety & Health Regulations, Part 1910, OSHA 2206, available from: Sup't of Documents; Government Printing Office; Washington DC 20402
2. Safety Code for Portable Air Tools, ANSI B186.1 available from: American National Standards Institute, Inc.; 1430 Broadway; New York, NY 10018
3. State and Local regulations.

Portions of the above codes and regulations are listed below for quick reference.

**THESE EXCERPTS ARE NOT INTENDED TO BE ALL INCLUSIVE - STUDY AND COMPLY WITH ALL REGULATIONS!**

**WARNING** FAILURE TO COMPLY WITH ALL SAFETY REGULATIONS MAY RESULT IN SERIOUS INJURY.

1. **TOOL INTENT** — Tools shall be used only for purposes intended in their design (refer to product catalog).
2. **AIR SUPPLY** — Test and operate tools at 90 PSIG maximum unless tool is marked otherwise. Use recommended airline filters—regulators—lubricators.
3. **UNUSUAL SOUND or VIBRATION** — If tool vibrates or produces an unusual sound, repair immediately for correction.
4. **OPERATOR PROTECTIVE EQUIPMENT** — Wear goggles or face shield at all times tool is in operation. Other protective clothing shall be worn, if necessary. SEE REGULATIONS.
5. **SAFETY MAINTENANCE PROGRAM** — Employ a safety program to provide inspection and maintenance of all phases of tool operation and air supply equipment in accordance with "Safety Code for Portable Air Tools."

### Safe Work Practices Symbol

**WARNING** The signal word "Warning" identifies all notes on safe work practices in this operating instruction, alerting to hazards for life and health of people. Observe these notes and proceed with special care in the cases described. Pass all safety instructions on to other operators. In addition to the safety instructions in this operating instruction, the general local safety and accident prevention rules must be observed.

### Important Notes

**CAUTION** The signal word "caution!" identifies all portions of this operating instruction meriting special attention to ensure that guidelines, rules, hints and the correct work procedures are observed; and, to prevent damage to and destruction of the machine and/or parts.  
(\*) Indicates recommended spare part (or set) for every five (5) tools. Small, low cost or easily lost parts should be stocked as 3-4 per 10 tools.

**WARNING** *Disconnect the air supply hose before servicing the tool.*

## OPERATION

### All 12S42 models covered by this parts list...

These models are lever operated (with latch off) horizontal type motors with angle head. The operator actuates and releases the lever, which starts and stops the air motor. When the motor starts, the saw blade is turning at the rated speed (5600, 7000 or 8000 RPM).

**WARNING** A blade guard covers the blade. Be sure the guard is functioning properly and that the guard's spring keeps the blade covered except when actually cutting.

### Replacement blades ...

**CAUTION** Be sure to install blades with teeth turned for correct rotation; refer to the direction arrow on the saw guard.

## LUBRICATION

Lubricate the motor with an air line lubricator, using a light air tool oil. Adjust the lubricator to dispense one drop per cycle or three drops per minute. This oil is available in one (1) quart (540397) or one (1) gallon (533485) quantities. A high film strength oil (536333) is also available; this oil cannot be used in Atomist type lubricators, use only with Economist or serv-oil type lubricators.

Thoroughly grease bevel pinion and bevel gear (angle head) with Cooper Power Tools grease every 100,000 cycles. Whenever the tool is disassembled, pack the

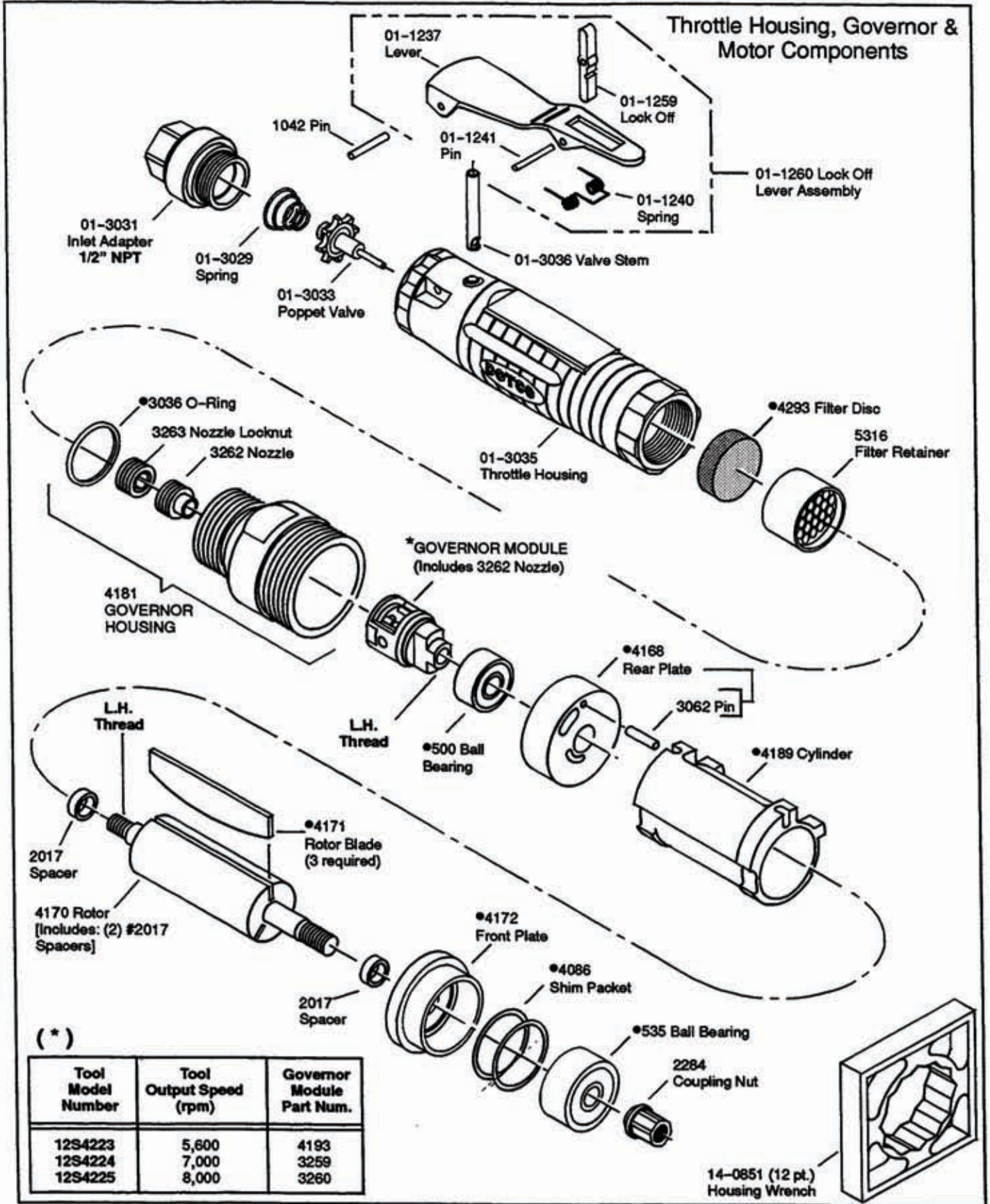
gearing with approximately 1/4 ounce of grease.

**CAUTION** *Do not use substitutes for oil and grease. This could result in damage to the tool.*





**DOTCO®**  
**Models 12-42 Series Vacuum Saws**

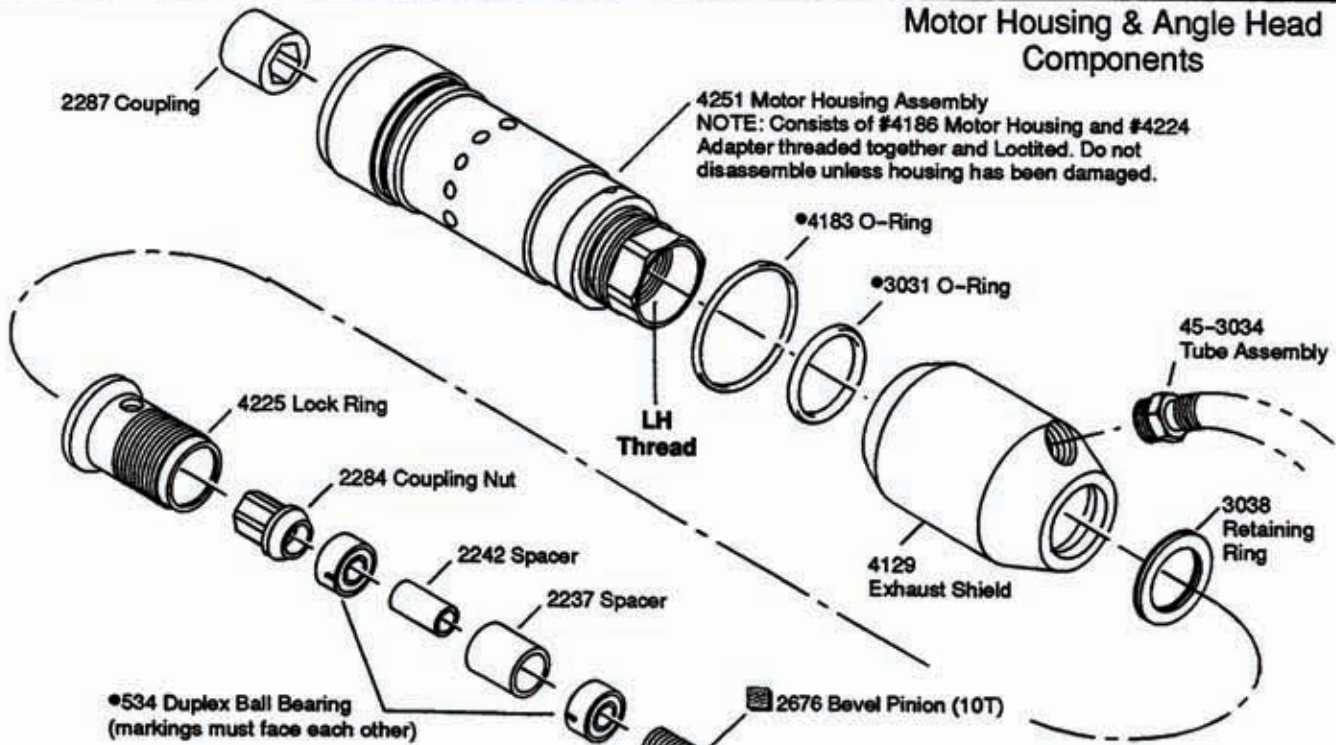


(\*)

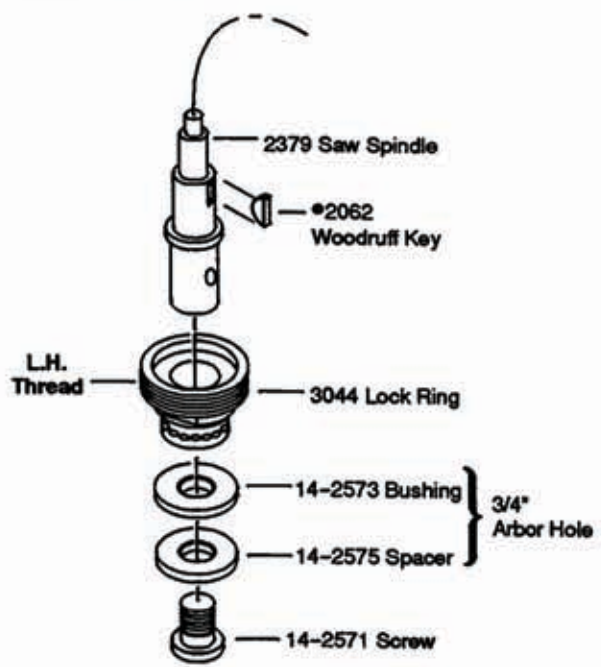
| Tool Model Number | Tool Output Speed (rpm) | Governor Module Part Num. |
|-------------------|-------------------------|---------------------------|
| 12S4223           | 5,600                   | 4193                      |
| 12S4224           | 7,000                   | 3259                      |
| 12S4225           | 8,000                   | 3260                      |

DOTCO®  
Models 12-42 Series Vacuum Saws

Motor Housing & Angle Head Components

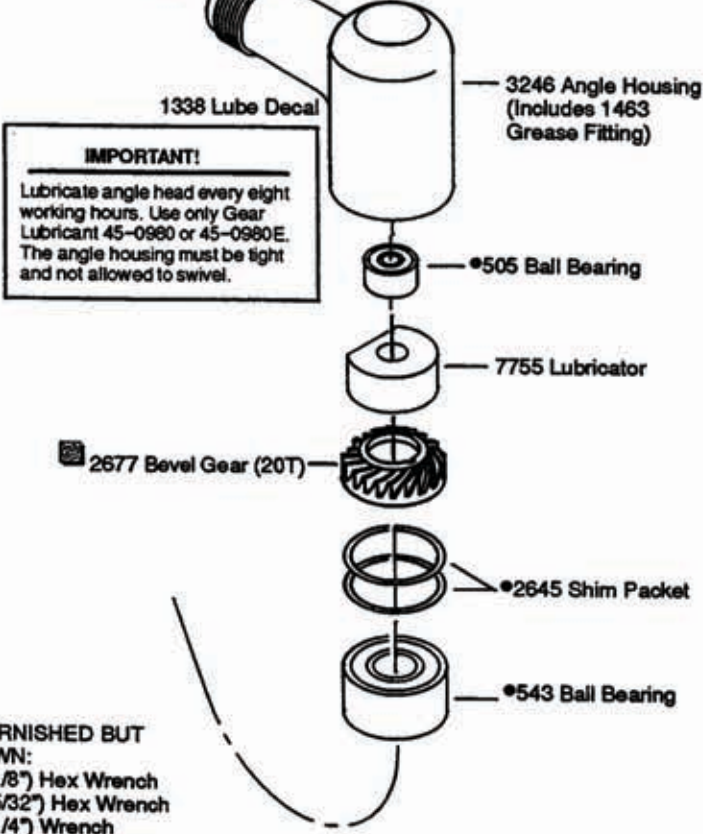


( [ ] ) NOTE: ALWAYS replace Bevel Gear and Bevel Pinion *IN PAIRS* since both should wear equally.



OPTIONAL ARBOR HOLE ADAPTERS:  
1/2" Arbor Hole = 14-2575 Spacers (2 req'd)  
5/8" Arbor Hole = 14-2574 Bushing  
7/8" Arbor Hole = 14-2576 Bushing  
1" Arbor Hole = 14-2572 Bushing

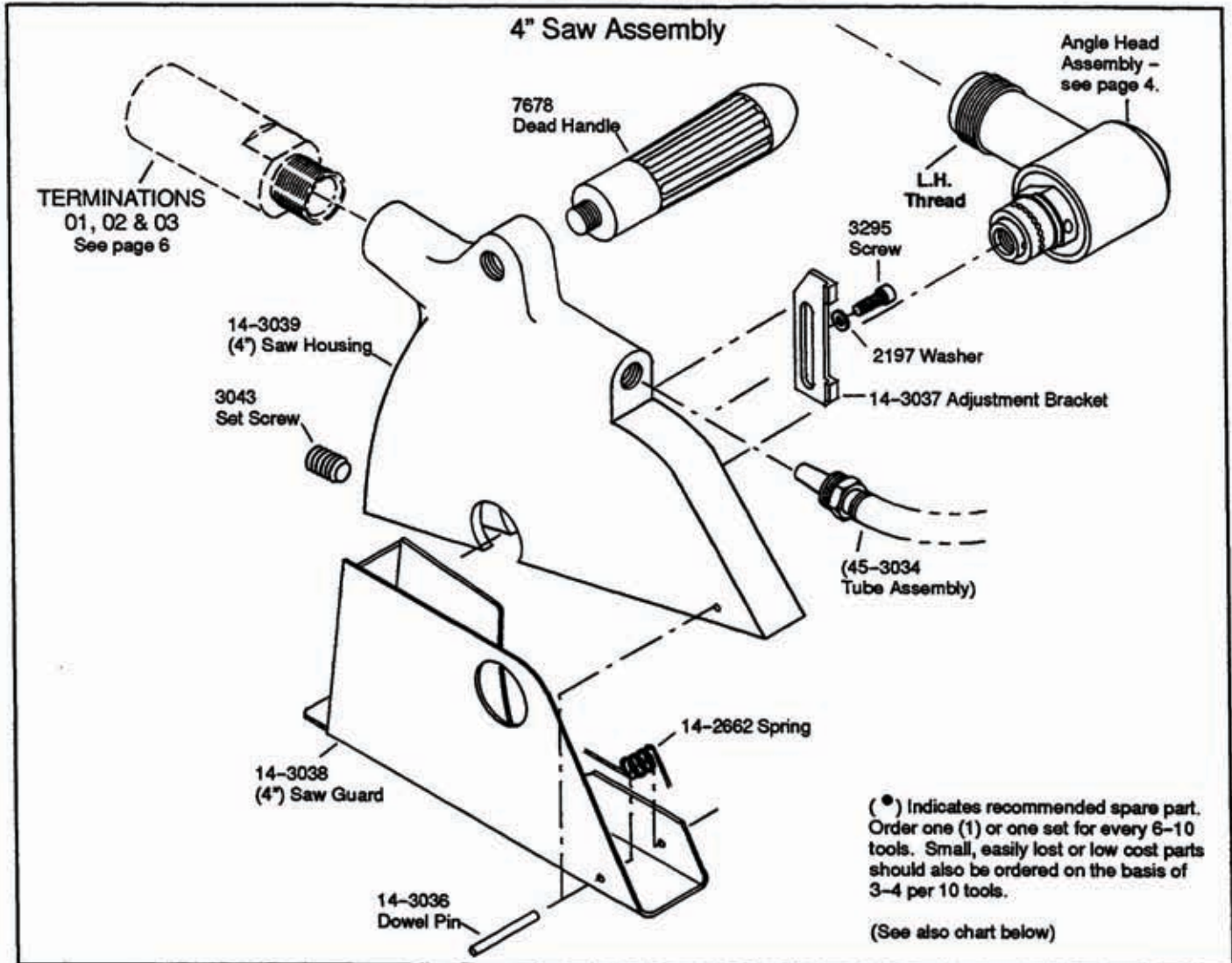
**IMPORTANT!**  
Lubricate angle head every eight working hours. Use only Gear Lubricant 45-0990 or 45-0990E. The angle housing must be tight and not allowed to swivel.



PARTS FURNISHED BUT NOT SHOWN:  
14-0184 (1/8") Hex Wrench  
14-0185 (5/32") Hex Wrench  
14-0188 (1/4") Wrench



**DOTCO®**  
**Models 12-42 Series Vacuum Saws**



**RECOMMENDED SPARE PARTS LIST**

*These parts are suggested as a recommended inventory of spare parts. Where parts are small, low cost, or easily lost, then we recommend stocking 3 to 4 for every 10 tools. Other larger, lower wear or more expensive parts should be maintained as one (or one set) for every six to ten tools.*

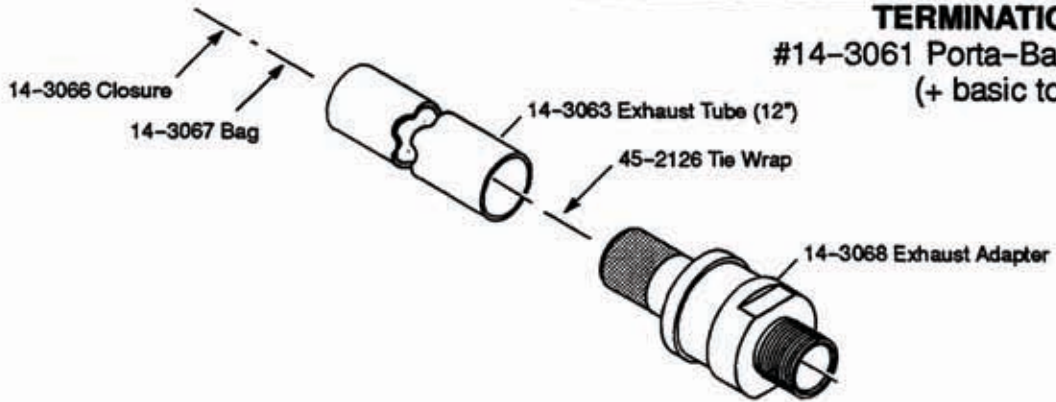
| Part Number | Description         | Qty Per Tool | Recommended Spare Pts |              |
|-------------|---------------------|--------------|-----------------------|--------------|
|             |                     |              | Per Tool              | Per 10 Tools |
| 500         | Ball Bearing        | 1            | 1                     | 2            |
| 505         | Ball Bearing        | 1            | 1                     | 2            |
| 534         | Duplex Ball Bearing | 1            | 1                     | 2            |
| 535         | Ball Bearing        | 1            | 1                     | 2            |
| 543         | Ball Bearing        | 1            | 1                     | 2            |
| 2062        | Woodruff Key        | 1            | 2-3                   | 3-4          |
| 2645        | Shim Packet         | 1            | 1                     | 2            |
| 4086        | Shim Packet         | 1            | 1                     | 2            |
| 3031        | O-Ring              | 1            | 2-3                   | 3-4          |

| Part Number | Description | Qty Per Tool | Recommended Spare Pts |              |
|-------------|-------------|--------------|-----------------------|--------------|
|             |             |              | Per Tool              | Per 10 Tools |
| 3036        | O-Ring      | 1            | 2-3                   | 3-4          |
| 4168        | Rear Plate  | 1            | 0                     | 2            |
| 4171        | Rotor Blade | 3            | 3                     | 15           |
| 4172        | Front Plate | 1            | 0                     | 2            |
| 4183        | O-Ring      | 1            | 2-3                   | 3-4          |
| 4189        | Cylinder    | 1            | 0                     | 2            |
| 4293        | Filter Disc | 1            | 1                     | 2            |

DOTCO®  
Models 12-42 Series ERGO Vacuum Saws  
TERMINATIONS

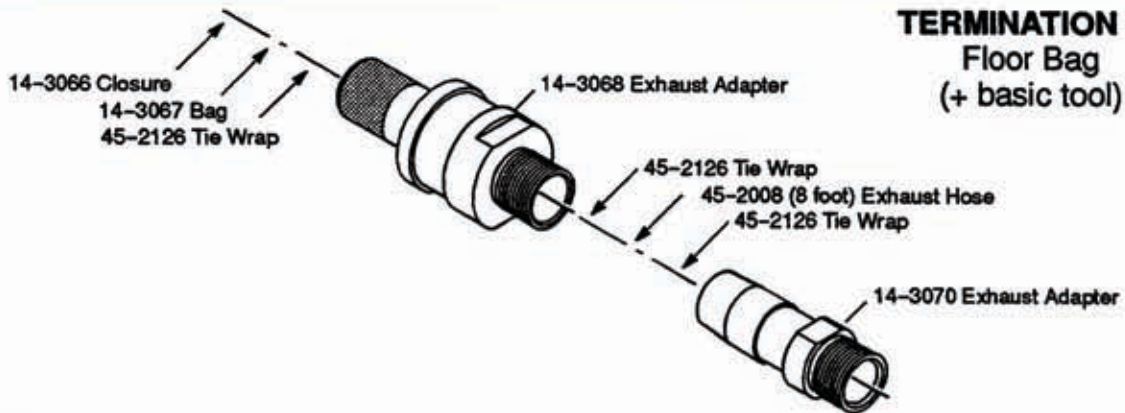
**TERMINATION 01**

#14-3061 Porta-Bag (complete)  
(+ basic tool)

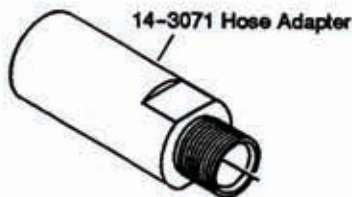


**TERMINATION 02**

Floor Bag  
(+ basic tool)



**TERMINATION 03**  
(basic tool & no bag)





## Sales & Service Centers

**Note:** All locations may not service all products. Please contact the nearest Sales & Service Center for the appropriate facility to handle your service requirements.

Dallas, TX  
**Apex Tool Group  
Sales & Service Center**  
1470 Post & Paddock  
Grand Prairie, TX 75050  
Tel: 972-641-9563  
Fax: 972-641-9674

Detroit, MI  
**Apex Tool Group  
Sales & Service Center**  
2630 Superior Court  
Auburn Hills, MI 48326  
Tel: 248-391-3700  
Fax: 248-391-7824

Houston, TX  
**Apex Tool Group  
Sales & Service Center**  
6550 West Sam Houston  
Parkway North, Suite 200  
Houston, TX 77041  
Tel: 713-849-2364  
Fax: 713-849-2047

Lexington, SC  
**Apex Tool Group**  
670 Industrial Drive  
Lexington, SC 29072  
Tel: 800-845-5629  
Tel: 803-951-7544  
Fax: 803-358-7681

Los Angeles, CA  
**Apex Tool Group  
Sales & Service Center**  
15503 Blackburn Avenue  
Norwalk, CA 90650  
Tel: 562-623-4457  
Fax: 562-802-1718

Seattle, WA  
**Apex Tool Group  
Sales & Service Center**  
2865 152nd Avenue N.E.  
Redmond, WA 98052  
Tel: 425-497-0476  
Fax: 425-497-0496

York, PA  
**Apex Tool Group  
Sales & Service Center**  
3990 East Market Street  
York, PA 17402  
Tel: 717-755-2933  
Fax: 717-757-5063

Canada  
**Apex Tool Group  
Sales & Service Center**  
5925 McLaughlin Road  
Mississauga, Ont. L5R 1B8  
Canada  
Tel: 905-501-4785  
Fax: 905-501-4786

Germany  
Cooper Power Tools  
GmbH & Co. OHG  
a company of  
Apex Tool Group, LLC  
Industriestraße 1  
73463 Westhausen  
Germany  
Tel: +49 (0) 73 63 81 0  
Fax: +49 (0) 73 63 81 222

England  
Cooper Power Tools  
GmbH & Co. OHG  
a company of  
Apex Tool Group, LLC  
C/O Spline Gauges  
Piccadilly, Tamworth  
Staffordshire B78 2ER  
United Kingdom  
Tel: +44 1827 8741 28  
Fax: +44 1827 8741 28

France  
Cooper Power Tools SAS  
a company of  
Apex Tool Group, LLC  
25 rue Maurice Chevalier  
77330 Ozoir-La-Ferrière  
France  
Tel: +33 1 6443 2200  
Fax: +33 1 6443 1717

China  
Cooper (China) Co., Ltd.  
a company of  
Apex Tool Group, LLC  
955 Sheng Li Road,  
Heqing Pudong, Shanghai  
China 201201  
Tel: +86-21-28994176  
Fax: +86-21-51118446

Mexico  
Cooper Tools  
de México S.A. de C.V.  
a company of  
Apex Tool Group, LLC  
Vialidad El Pueblito #103  
Parque Industrial Querétaro  
Querétaro, QRO 76220  
Mexico  
Tel: +52 (442) 211-3800  
Fax: +52 (442) 103-0443

Brazil  
Cooper Tools Industrial Ltda.  
a company of  
Apex Tool Group, LLC  
Av. Liberdade, 4055  
Zona Industrial - Iporanga  
SP Brazil  
Tel: +55 15 2383929  
Fax: +55 15 2383260

Hungary  
Cooper Tools Hungaria Kft.  
a company of  
Apex Tool Group, LLC  
Berkenyefa sor 7  
Pf: 640  
9027 Győr  
Hungary  
Tel: +36 96 66 1383  
Fax: +36 96 66 1135

Apex Tool Group, LLC  
1000 Lufkin Road  
Apex, NC 27539  
Phone: 919-387-0099  
Fax: 919-387-2614  
www.apextoolgroup.com

# DOTCO®