

Parts Manual  
45-8443EN  
PL30-1212-1A  
02/16/2012

**OMEGA TECHNOLOGIES**

**DOTCO<sup>®</sup>**

**12S12 Series**  
2" Blade Capacity Saw



*For additional product information visit our website at:*

<https://dotcotool.com/product-category/dotco-air-tools/dotco-specialty-tools/dotco-saws/dotco-12-12-series-saws/>

**Dotco®**  
Nomenclature

	12	S	1	2	XX	-	02	OH
<u>Tool Series</u> 14 = Ergo Handle								
<u>Throttle Type</u> S = Locking Lever								
<u>Motor Size</u> 1 = 0.3 hp								
<u>Handle Style</u> 2 = Right Angle								
<u>Speed Options (RPM)</u> <b>Front Exhaust (Non-Vacuum)</b> 87 = 1,500 88 = 2,400 89 = 3,600								
<u>Termination Code</u> 02 = Saw, 2" Blade, 1/4" Arbor								
<u>Overhose Option (extra cost)</u> OH = Overhose (rear exhaust models only)								

## Description and Instructions

**Language Version:**

This Parts Manual is the ***“Original Instructions”*** intended for all persons who will use or repair these tools.

**Product Identification:**

Refer to the “Model Nomenclature” page in this document.

**Noise and Vibration:**

Refer to documents CE-1008DC and CE-1008TD.

**General Description:**

Air powered 2” blade capacity light duty saw.

**Intended Use:**

These air powered saws are intended for light duty cutting applications Use only for their designated purpose. Do not use as a hammer, lever or other improper usage that can cause tool damage and operator injury.

**Copyright protection:**

Apex Tool Group, LLC reserves the right to modify, supplement or improve this document or the product without prior notice. This document may not be reproduced in any way, shape or form, in full or parts thereof, or copied to another natural or machine readable language or to a data carrier, whether electronic, mechanical, optical or otherwise without the express permission of Apex Tool Group, LLC.

**General Safety:**

Refer to General Safety document, CE-2008 for general safety operating instructions for this equipment.

**Lubrication:**

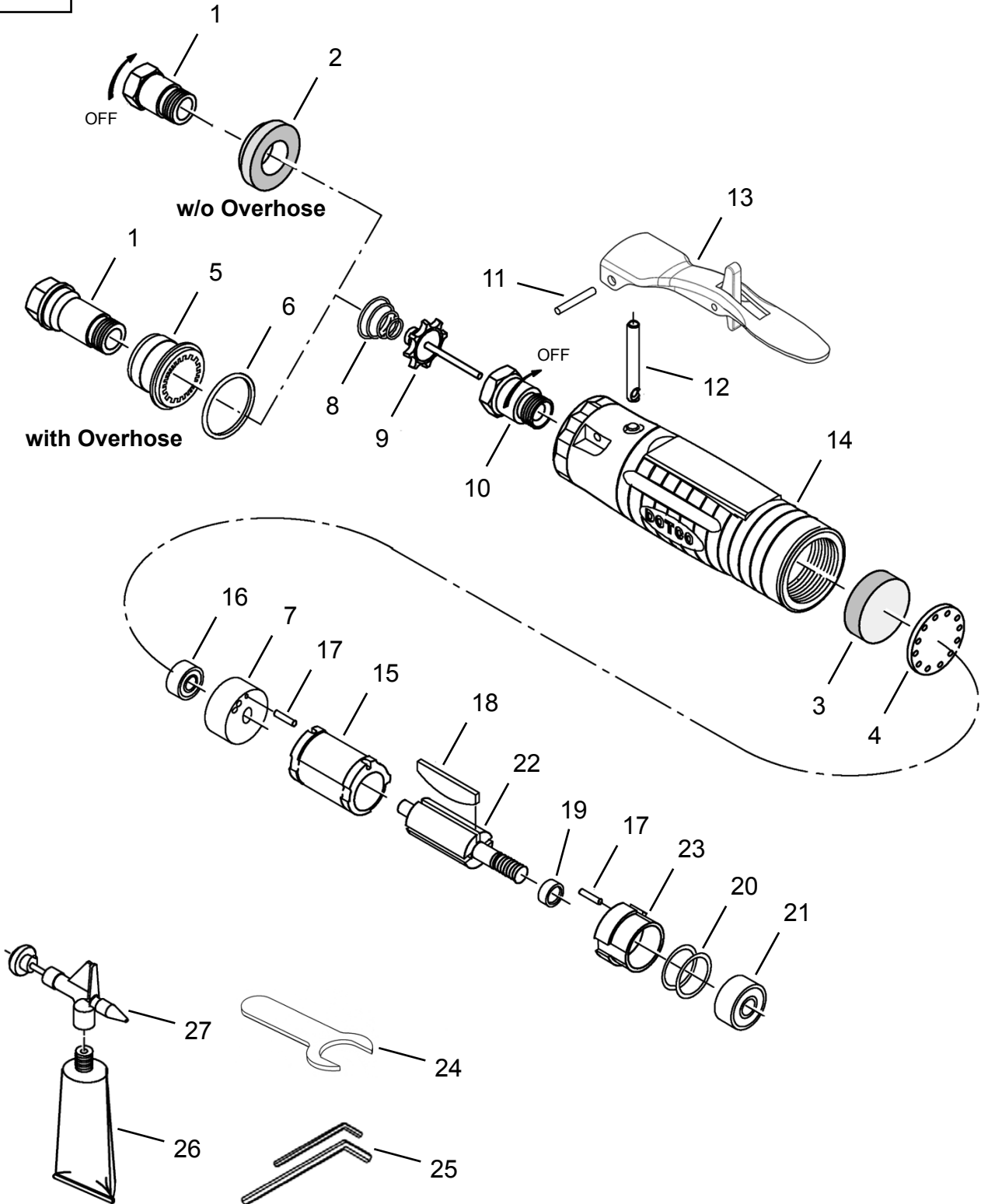
Refer to lubrication document, PL65-LUB, for general lubrication instructions.

**Gearing:** When the gearing is cleaned or replaced, apply a thin coat of lubricant. Only a small amount is necessary. A 2 ounce tube (45-0980) is available from Apex Tool Group.

**CAUTION: Do not use substitutes for oil and grease. This could result in damage to the tool.**

**Dotco®**  
Rear Exhaust Saw

**“A”**



**Dotco®**  
Rear Exhaust Saw

**45-8443EN**  
02/16/2012

**Illustration "A"**

Ref	Number	#	X	EN	
				Description	
1	Table "A"	1	1	Inlet Adapter	
2	01-2520	1	1	Diffuser	
3	01-1046	1	3	Filter Disc	
4	01-1016	1		Filter Retainer	
5	01-1032	1	1	Muffler	
6	3036PT	1	3	O-Ring	
7	1203PT	1		Rear End Plate (includes 1 Ref. 17)	
8	01-2519	1	3	Valve Spring	
9	01-2518	1	1	Valve	
10	01-2504	1		Valve Seat	
11	1042	1	1	Lever Pin	
12	01-1017	1	1	Lever Push Rod	
13	01-1267	1	1	Lock-Off Lever Assembly	
14	01-1533	1		Motor Housing	
15	1002PT	1		Cylinder	
16	504PT	1	2	Ball Bearing	
17	1041	2	2	Pin	
18	1006PT	4	12	Rotor Blade	
19	1017PT	1		Rotor Spacer	
20	1355PT	1		Shim Packet	
21	538PT	1	2	Ball Bearing	
22	Table "A"	1		Rotor (includes Ref. 19)	
23	1176	1		Front End Plate (includes 1 Ref. 17)	
24	14-0807	1		Wrench (7/16")	
25	14-0184PT	1		Hex Key (1/8")	
	14-0186PT	1		Hex Key (3/16")	
26	45-0980	1		Gear Lube (2 oz.)	
27	45-1982	1		Grease Gun	

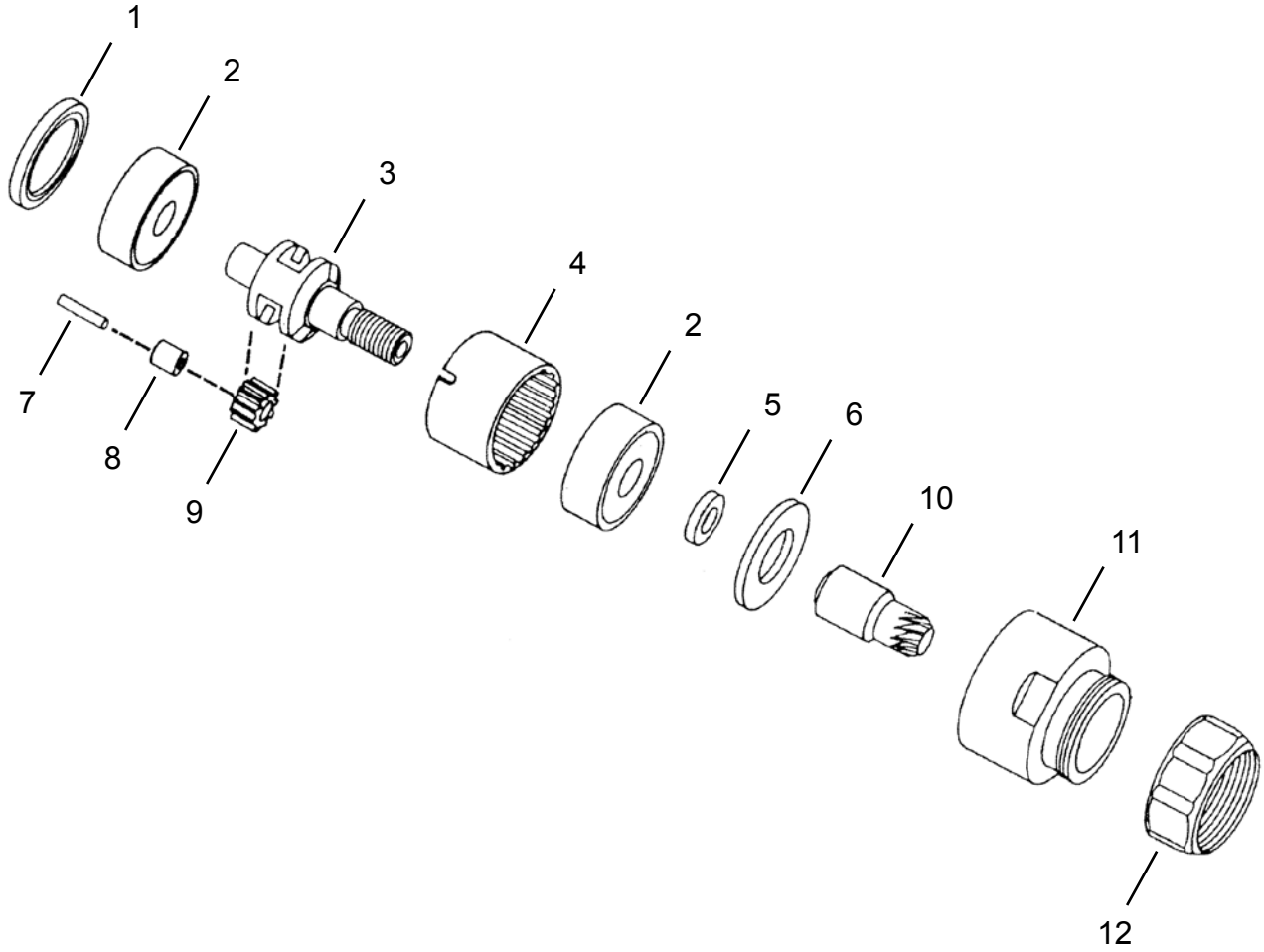
(#) Quantity

(X) Recommended Spare Parts

**Table "A"**

Ref.	Description	#	12S1287 12S1288	#	12S1289
1	Inlet Adapter (w/o Overhose)	1	01-2505	1	01-2505
	Inlet Adapter (w/ Overhose)	1	01-1031	1	01-1031
22	Rotor	1	2912PT	1	1959

**“B”**



**Dotco®**  
Gear Assembly

**45-8443EN**  
02/16/2012

**Illustration "B"**

Ref	Number	#	X	EN	
				Description	
1	1563PT	1		Spacer	
2	519	2	4	Ball Bearing	
3	02-1111	1		Planet Gear Cage	
4	1529PT	1		Ring Gear	
5	1528PT	1		Spacer	
6	1527PT	1		Spacer	
7	1526PT	2	4	Planet Gear Pin	
8	1464	2	4	Needle Bearing	
9	Table "B"	2	4	Planet Gear	
10	Table "B"	1	2	Pinion Gear	
11	1524	1		Adapter	
12	1032PT	1		Cap	

(#) Quantity

(X) Recommended Spare Parts

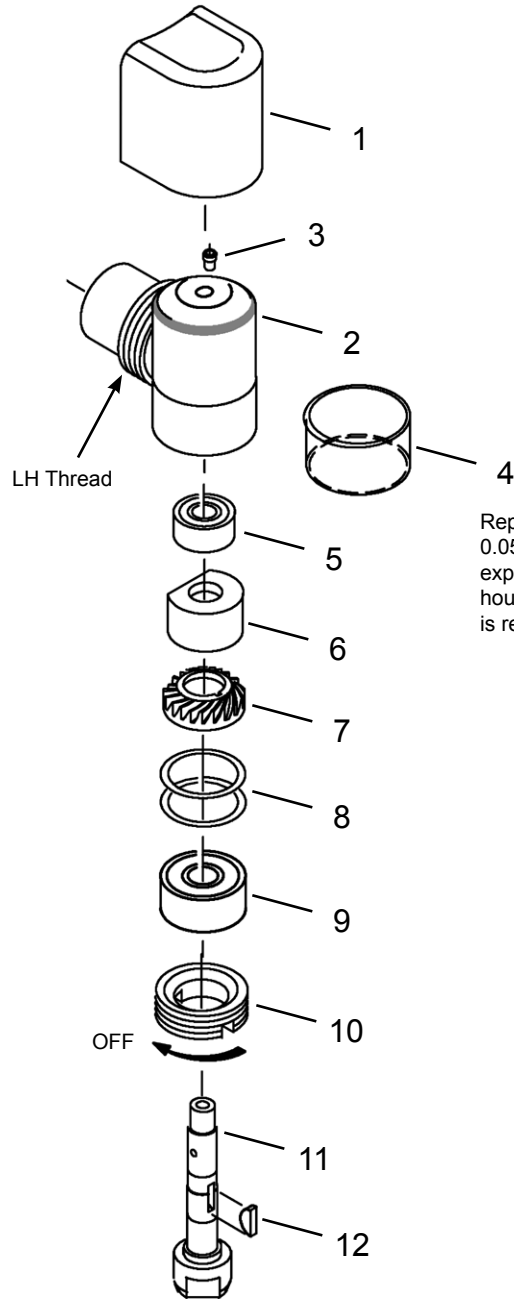
**Table "B"**

Ref.	Description	#	12S1287	#	12S1288	#	12S1289
9	Planet Gear	2	1536 (18T)	2	1536 (18T)	2	1540PT (16T)
10	Pinion Gear	1	1066PT	1	1187	1	1187

(T) Teeth

# Dotco® Angle Housing Assembly

“C”



Replacement Wear Rings are 0.050" undersize and must be expanded to slip onto the angle housing. Service tool 45-1020 is required.



**Dotco®**  
Angle Housing Assembly

**45-8443EN**  
02/16/2012

**Illustration "C"**

Ref	Number	#	X	EN
				Description
1	01-1048	1		Angle Head Cover
2	1024PT	1		Angle Housing (includes Ref. 3-4)
3	1463PT	1	1	Grease Fitting
4	1356PT	1	1	Wear Ring
5	504PT	1	2	Ball Bearing
6	1755PT	1	2	Lube Disc
7	Table "C"	1	1	Bevel Gear
8	1355PT	1		Shim Packet
9	538PT	1	2	Ball Bearing
10	1025PT	1		Lock Ring
11	1069	1		Spindle
12	1062PT	2	4	Woodruff Key

(#) Quantity

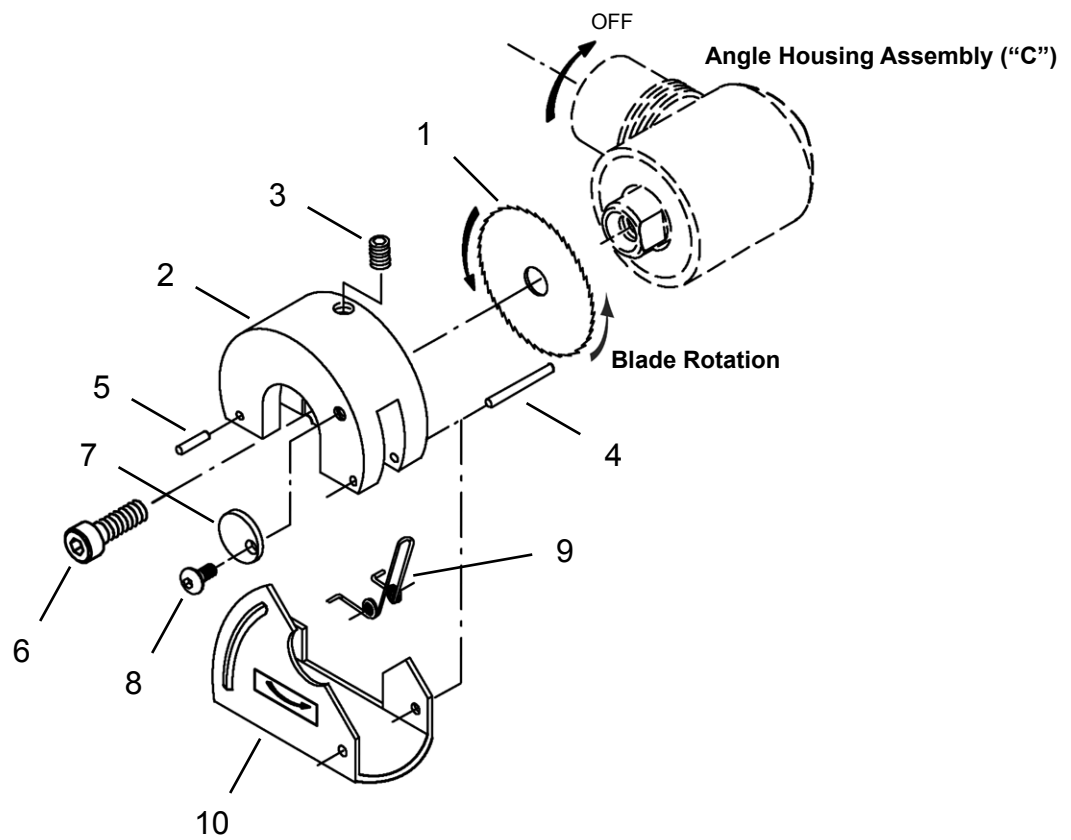
(X) Recommended Spare Parts

**Table "C"**

Ref.	Description	#	12S1287	#	12S1288 12S1289
7	Bevel Gear	1	1067	1	1188PT

**Dotco®**  
14-1866 Saw Attachment

**“D”**



**Dotco®**  
14-1866 Saw Attachment

**45-8443EN**  
02/16/2012

**Illustration "D"**

Ref	Number	#	X	EN
				Description
--	14-1866	1		Complete Saw Attachment
1	(1)	1		Saw Blade
2	14-1868	1		Saw Housing
3	1403PT	1	2	Set Screw
4	1856PT	1	1	Pin
5	3062	1	1	Pin
6	14-1867	1		Spindle Bolt
7	1797PT	1		Depth Adjustment Cam
8	1798PT	1		Depth Adjustment Screw
9	1796	1	3	Spring
10	14-1869	1		Saw Guard

(#) Quantity

(X) Recommended Spare Parts

(1) 1/4" Arbor - 2" Diameter maximum: refer to Product Catalog

## Sales & Service Centers

**Note:** All locations may not service all products. Please contact the nearest Sales & Service Center for the appropriate facility to handle your service requirements.

Dallas, TX  
**Apex Tool Group  
Sales & Service Center**  
1470 Post & Paddock  
Grand Prairie, TX 75050  
Tel: 972-641-9563  
Fax: 972-641-9674

Detroit, MI  
**Apex Tool Group  
Sales & Service Center**  
2630 Superior Court  
Auburn Hills, MI 48326  
Tel: 248-391-3700  
Fax: 248-391-7824

Houston, TX  
**Apex Tool Group  
Sales & Service Center**  
6550 West Sam Houston  
Parkway North, Suite 200  
Houston, TX 77041  
Tel: 713-849-2364  
Fax: 713-849-2047

Lexington, SC  
**Apex Tool Group**  
670 Industrial Drive  
Lexington, SC 29072  
Tel: 800-845-5629  
Tel: 803-951-7544  
Fax: 803-358-7681

Los Angeles, CA  
**Apex Tool Group  
Sales & Service Center**  
15503 Blackburn Avenue  
Norwalk, CA 90650  
Tel: 562-623-4457  
Fax: 562-802-1718

Seattle, WA  
**Apex Tool Group  
Sales & Service Center**  
2865 152nd Avenue N.E.  
Redmond, WA 98052  
Tel: 425-497-0476  
Fax: 425-497-0496

York, PA  
**Apex Tool Group  
Sales & Service Center**  
3990 East Market Street  
York, PA 17402  
Tel: 717-755-2933  
Fax: 717-757-5063

Canada  
**Apex Tool Group  
Sales & Service Center**  
5925 McLaughlin Road  
Mississauga, Ont. L5R 1B8  
Canada  
Tel: 905-501-4785  
Fax: 905-501-4786

Germany  
**Apex Tool Group  
GmbH & Co. OHG**  
Industriestraße 1  
73463 Westhausen  
Germany  
Tel: +49 (0) 73 63 81 0  
Fax: +49 (0) 73 63 81 222

England  
**Apex Tool Group  
GmbH & Co. OHG**  
C/O Spline Gauges  
Piccadilly, Tamworth  
Staffordshire B78 2ER  
United Kingdom  
Tel: +44 1827 8741 28  
Fax: +44 1827 8741 28

France  
**Apex Tool Group SAS**  
25 rue Maurice Chevalier  
77330 Ozoir-La-Ferrière  
France  
Tel: +33 1 6443 2200  
Fax: +33 1 6443 1717

China  
**Cooper (China) Co., Ltd.**  
a company of  
Apex Tool Group, LLC  
955 Sheng Li Road,  
Heqing Pudong, Shanghai  
China 201201  
Tel: +86-21-28994176  
Fax: +86-21-51118446

Mexico  
Cooper Tools  
de México S.A. de C.V.  
a company of  
Apex Tool Group, LLC  
Vialidad El Pueblito #103  
Parque Industrial Querétaro  
Querétaro, QRO 76220  
Mexico  
Tel: +52 (442) 211-3800  
Fax: +52 (442) 103-0443

Brazil  
Cooper Tools Industrial Ltda.  
a company of  
Apex Tool Group, LLC  
Av. Liberdade, 4055  
Zona Industrial - Iporanga  
18087-170 Sorocaba  
SP Brazil  
Tel: +55 15 2383929  
Fax: +55 15 2383260

Hungary  
Cooper Tools Hungaria Kft.  
a company of  
Apex Tool Group, LLC  
Berkenyefa sor 7  
Pf: 640  
9027 Győr  
Hungary  
Tel: +36 96 66 1383  
Fax: +36 96 66 1135

Apex Tool Group, LLC  
1000 Lufkin Road  
Apex, NC 27539  
Phone: 919-387-0099  
Fax: 919-387-2614  
www.apextoolgroup.com

# DOTCO®