

Service and Parts Manual

PL30-CH30

03/15/2017



CH-30 Series

Chipping Hammer



CH	-	30	-	XX	-	XX
----	---	----	---	----	---	----

Tool Series

CH = Chipping Hammer, Pistol Grip

Stroke

30 = 3"

Nose Type

RD = Round

HX = Hexagon

Retainer

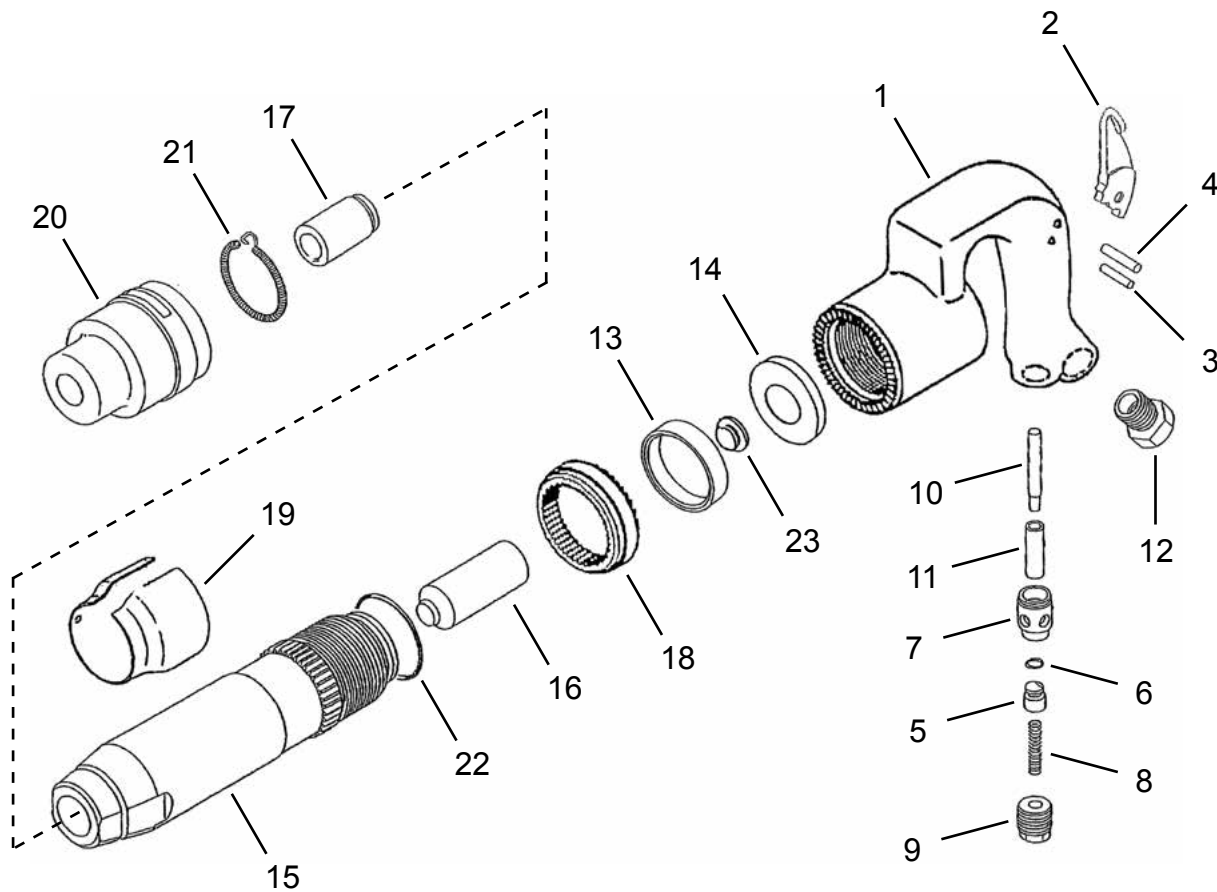
Blank = Standard Retainer

QC = Quick Change

For additional product information visit our website at:
<https://dotcotool.com/product-category/cleco-tools/cleco-specialty-tools/cleco-ch30-series-chipping-hammers/>

“A” Chipping Hammer

Models
CH-30



Chisel Installation Procedure:

1. Remove retainer spring (#21) from retainer (#20)
2. Remove retainer (#20) from cylinder (#15)
3. Install chisel into bushing (#17) inside cylinder (#15)
4. Slide retainer (#20) over chisel and onto cylinder (#15)
5. Insert retainer spring (#21) into the slot of the retainer (#20)
6. Push retainer spring (#21) completely into the slot around the groove machined into the cylinder (#15) until the clip-on spring is exposed.
7. For chisel removal, repeat steps 1-6.

Illustration "A"

Ref	Number	#	X	EN
				Description
1	207046	1		Handle (Includes Ref. 5)
2	207047	1	2	Lever
3	207048	1	2	Pin (6 x 20)
4	207049	1	2	Pin (5 x 20)
5	207050	1		Valve
6	207051	1	2	O-Ring (P7)
7	207052	1		Bushing
8	207053	1	1	Spring
9	207054	1		Valve Cap
10	207055	1		Push Rod
11	207056	1		Push Rod Sleeve
12	207057	1	2	Inlet Bushing (3/8 x 3/8)
13	207058	1		Ring Valve
14	207261	1		Valve Plate
15	207060	1		Cylinder
16	207061	1	2	Piston
17	Table "A"	1	2	Bushing
18	208905PT	1		Clutch
19	207259	1		Exhaust Band
20	Table "A"	1		Retainer
21	207068	1	2	Retaining Spring
22	207069	1	2	O-Ring (P50)
23	207260	1		Valve Seat

(#) Quantity

(X) Recommended Spare Parts (quantity shown based on 1-5 tools in operation)

Table "A"

Ref.	Description	#	CH-30-HX-QC	#	CH-30-HX	#	CH-30-RD-QC	#	CH-30-RD
17	Shank Bushing (Hex)	1	207062	1	207062		---		---
	Shank Bushing (Round)		---		---	1	207063	1	207063
20	Standard Retainer		---	1	207066		---	1	207066
	Quick Change Retainer	1	207067		---	1	207067		---

POWER TOOLS SALES & SERVICE CENTERS

Please note that all locations may not service all products.

Contact the nearest Apex Tool Group Sales & Service Center for the appropriate facility to handle your service requirements.



NORTH AMERICA | SOUTH AMERICA

Detroit, Michigan

Apex Tool Group
2630 Superior Court
Auburn Hills, MI 48236
Phone: +1 (248) 393-5640
Fax: +1 (248) 391-6295

Lexington, South Carolina

Apex Tool Group
670 Industrial Drive
Lexington, SC 29072
Phone: +1 (800) 845-5629
Phone: +1 (919) 387-0099
Fax: +1 (803) 358-7681

Canada

Apex Tool Canada, Ltd.
7631 Bath Road
Mississauga, Ontario L4T 3T1
Canada
Phone: (866) 691-6212
Fax: (905) 673-4400

Mexico

Apex Tool Group
Manufacturing México
S. de R.L. de C.V.
Vialidad El Pueblito #103
Parque Industrial Querétaro
Querétaro, QRO 76220
Mexico
Phone: +52 (442) 211 3800
Fax: +52 (800) 685 5560

Brazil

Apex Tool Group
Ind. Com. Ferram, Ltda.
Av. Liberdade, 4055
Zona Industrial Iporanga
Sorocaba, São Paulo
CEP# 18087-170
Brazil
Phone: +55 15 3238 3820
Fax: +55 15 3238 3938

EUROPE | MIDDLE EAST | AFRICA

England

Apex Tool Group GmbH
C/O Spline Gauges
Piccadilly, Tamworth
Staffordshire B78 2ER
United Kingdom
Phone: +44 1827 8727 71
Fax: +44 1827 8741 28

France

Apex Tool Group S.A.S.
25 rue Maurice Chevalier
B.P. 28
77831 Ozoir-La-Ferrière
Cedex, France
Phone: +33 1 64 43 22 00
Fax: +33 1 64 43 17 17

Germany

Apex Tool Group GmbH
Industriestraße 1
73463 Westhausen
Germany
Phone: +49 (0) 73 63 81 0
Fax: +49 (0) 73 63 81 222

Hungary

Apex Tool Group
Hungária Kft.
Platánfa u. 2
9027 Győr
Hungary
Phone: +36 96 66 1383
Fax: +36 96 66 1135

ASIA PACIFIC

Australia

Apex Tool Group
519 Nurigong Street, Albury
NSW 2640
Australia
Phone: +61 2 6058 0300

China

Apex Power Tool Trading
(Shanghai) Co., Ltd
2nd Floor, Area C
177 Bi Bo Road
Pu Dong New Area, Shanghai
China 201203 P.R.C.
Phone: +86 21 60880320
Fax: +86 21 60880298

India

Apex Power Tools India
Private Limited
Gala No. 1, Plot No. 5
S. No. 234, 235 & 245
Indialand Global
Industrial Park
Taluka-Mulsi, Phase I
Hinjawadi, Pune 411057
Maharashtra, India
Phone: +91 020 66761111

Japan

Apex Tool Group Japan
Korin-Kaikan 5F,
3-6-23 Shibakoen, Minato-Ku,
Tokyo 105-0011, JAPAN
Phone: +81-3-6450-1840
Fax: +81-3-6450-1841

Korea

Apex Tool Group Korea
#1503, Hibrand Living Bldg.,
215 Yangjae-dong,
Seocho-gu, Seoul 137-924,
Korea
Phone: +82-2-2155-0250
Fax: +82-2-2155-0252

Apex Tool Group, LLC

1000 Lufkin Road
Apex, NC 27539
Phone: +1 (919) 387-0099
Fax: +1 (919) 387-2614
www.apexpowertools.com

