

Parts Manual

45-8453

04/21/2011

**OMEGA TECHNOLOGIES**

**DOTCO<sup>®</sup>**

**14CN Series**  
Rivet Shaver



*For additional product information visit our website at:  
<https://dotcotool.com/product/cleco-dotco-14cn160-96-rivet-shaver-pistol-grip-20000rpm/>*



**“A”**

<b>14</b>	<b>C</b>	<b>N</b>	<b>L</b>	<b>60</b>	<b>-</b>	<b>95</b>
-----------	----------	----------	----------	-----------	----------	-----------

Tool Classification

**14** = Ergo Series Handle

Throttle Type

**C** = Trigger Actuated

Motor Size

**N** = .9 hp Pistol Grip

Handle Style

**L** = Large Handle

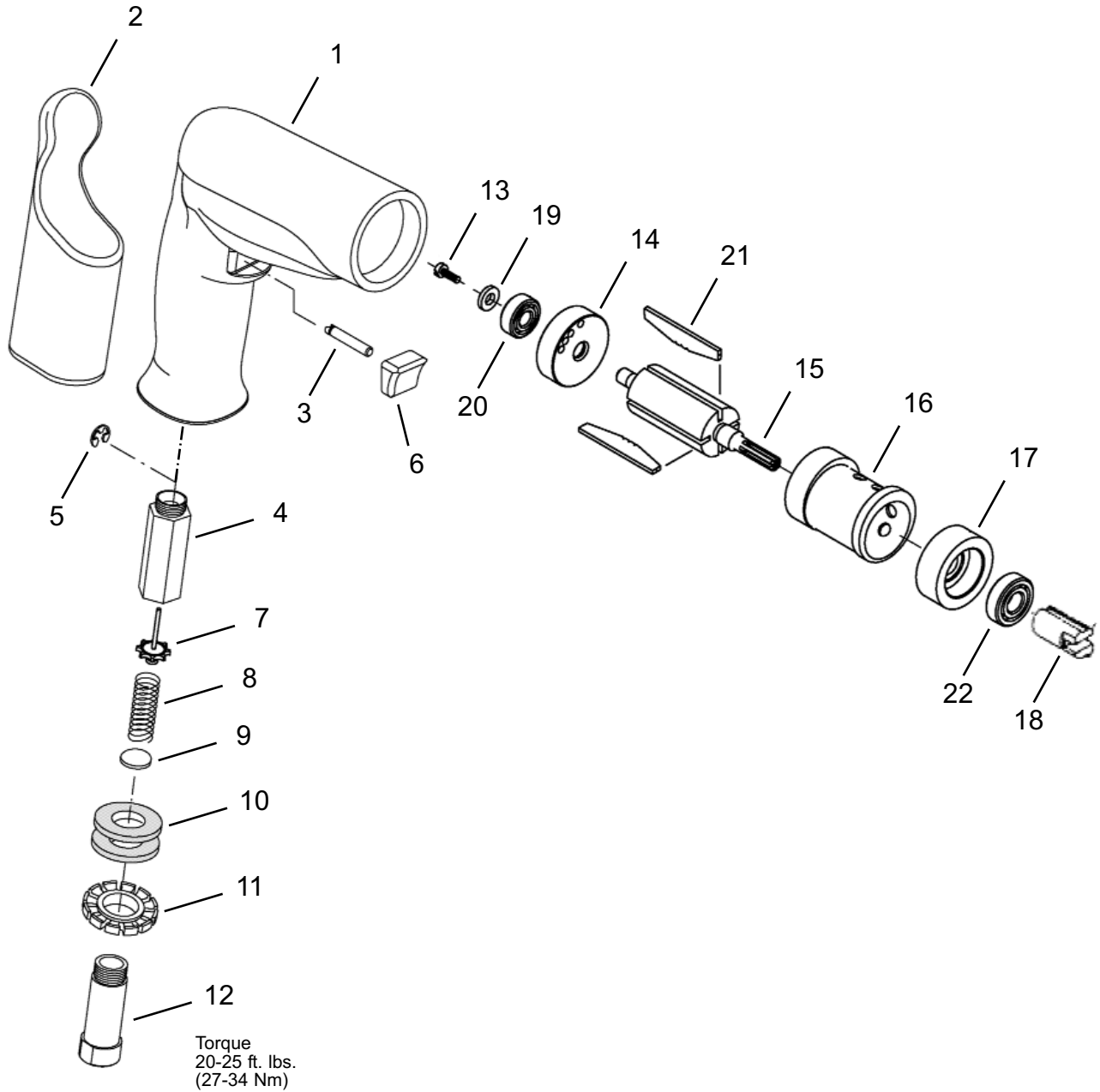
Speed Code

**60** = 29,000 rpm

Termination Code

**95** = with Stabilizer

“B”



## Handle and Motor Assembly

## Illustration, Abbildung, Illustration, Ilustración, Illustrazione "B"

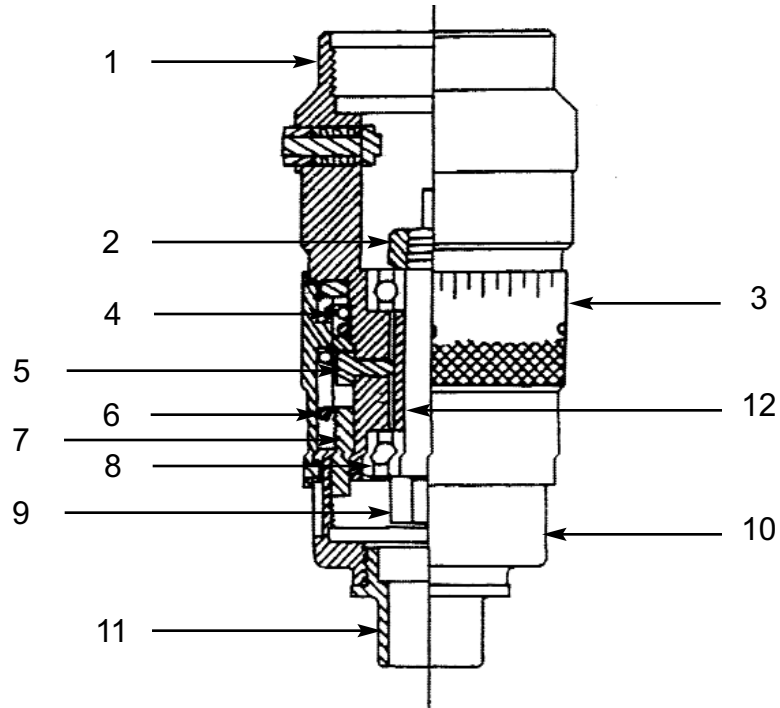
Ref	Number	#	X	EN	DE	FR	ES	IT
				Description	Benennung	Designation	Descripción	Descrizione
1	01-2201S	1		Pistol Grip Handle	Handgriff	Poignée	Manija	Impugnatura
2	01-2702	1		Sleeve	Hülse	Douille	Manguito	Manicotto
3	1110077	1		Pushrod	Ventilstößel	Tige-poussoir	Varilla de empuje	Asta di comando
4	1110052	1		Valve Housing	Ventilgehäuse	Cage de soupape	Caja de la válvula	Corpo valvola
5	1012024	1	3	Retaining Ring	Sicherungsring	Anneau de fixation	Anillo de retención	Anello di fissaggio
6	1110038	1		Trigger	Drücker	Déclencheur	Gatillo	Grilletto
7	01-2518	1		Tip Valve	Kippventil	Soupape d'extrémité	Válvula de extremo	Valvola di punta
8	1110079	1	3	Spring	Druckfeder	Ressort	Resorte	Molla
9	1006577	1	3	Screen	Bildschirm	Ecran	Criba	Schermo
10	1110134	2	4	Muffler	Schalldämpfer	Silencieux	Silenciador	Silenziatore
11	1110892	1		Muffler Diffuser	Schalldämpferdiffuser	Diffuseur de silencieux	Difusor del silenciador	Silenziatore di scarico
12	1110053	1		Hose Adapter	Schlauchadapter	Adaptateur de tuyau	Adaptador de manguera	Adattatore per tubo
13	1011750	1	3	Screw	Schraube	Vis	Tornillo	Vite
14	1110068	1	1	Rear Plate	Hintere Platte	Plaque arrière	Placa posterior	Piattello posteriore
15	1017218	1		Rotor	Rotor	Rotor	El rotor	Il rotore
16	1019667	1	1	Cylinder	Zylinder	Cylindre	Cilindro	Cilindro
17	1008260	1	1	Front Plate	Vorderplatte	Plaque de devanture	Placa frontal	Piattello anteriore
18	02-8174	1	1	Driver	Antrieb	Entraînement	Impulsión	Trasmissione
19	1012518	1	3	Washer	Scheibe	Rondelle	Arandela	Rondella
20	1010183	1	2	Ball Bearing	Kugellager	Roulement à billes	Cojinete de bolas	Cuscinetto a sfera
21	1017119	4	8	Rotor Blade	Rotorblatt	Palette	Alabe del rotor	Paletta del rotore
	1025484	100		Rotor Blade Kit	Satz	Ensemble	Juego	Corredo
22	1010770	1	2	Ball Bearing	Kugellager	Roulement à billes	Cojinete de bolas	Cuscinetto a sfera

(#) Quantity / Stückzahl / Quantité / Cantidad / Quantità

(X) Recommended Spare Parts / Kennzeichnet empfohlenes / Identifica un particolare di ricambio raccomandato / Designa el repuesto recomendado / Indique la pièce de rechange conseillée.

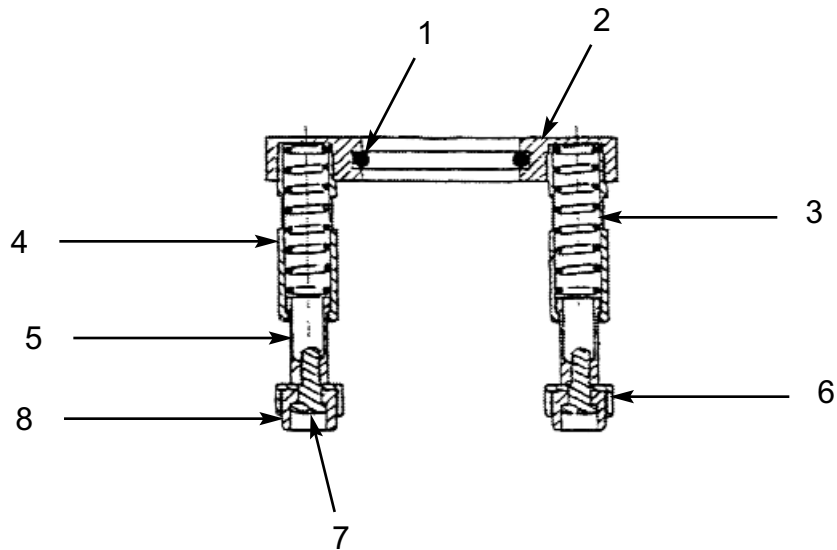
“C”

8177 Rivet Shaver Attachment (0.0005 Adjustment)



“D”

02-8120 Stabilizer



## Rivet Shaver Attachment

## Illustration, Abbildung, Illustration, Ilustración, Illustrazione "C"

Ref	Number	#	X	EN	DE	FR	ES	IT
				Description	Benennung	Designation	Descripción	Descrizione
--	8177	1		Rivet Shaver Asm.	Niet-Scherblock	Coupeur de rivet	Cortador del remache	Taglierina del ribattino
1	8175	1		Housing	Gehäuse	Corps	Caja	Corpo
2	8118	1		Hex Nut	Sechskantmutter	Écrou six-pans	Tuerca hexagonal	Bullone esagonale
3	8115	1		Adjustment Sleeve	Stellhülse	Manchon de réglage	Manguito de ajuste	Manicotto di regolazione
4	02-8128	1	3	Spring	Druckfeder	Ressort	Resorte	Molla
5	14-1727	1	3	Screw	Schraube	Vis	Tornillo	Vite
6	8127	1	3	Spring	Druckfeder	Ressort	Resorte	Molla
7	8117	1		Adjustment Bushing	Lagerbuchse	Douille	Casquillo	Boccola
8	534	1	2	Ball Bearing	Kugellager	Roulement à billes	Cojinete de bolas	Cuscinetto a sfera
9	8121	1		Spindle	Spindel	Arbre	Husillo	Mandrino
10	8116	1		Nose Housing	Gehäuse	Corps	Caja	Corpo
11	14-4394	1		Skirt	Führung	Guide	Guía	Guida
12	8119	1		Spacer	Distanzstück	Entretoise	Espaciador	Distanziale

(#) Quantity / Stückzahl / Quantité / Cantidad / Quantità

(X) Recommended Spare Parts / Kennzeichnet empfohlenes / Identifica un particolare di ricambio raccomandato / Designa el repuesto recomendado / Indique la pièce de rechange conseillée.

## Illustration, Abbildung, Illustration, Ilustración, Illustrazione "D"

Ref	Number	#	X	EN	DE	FR	ES	IT
				Description	Benennung	Designation	Descripción	Descrizione
--	02-8120	1		Stabilizer	Ausgleicher	Stabilisateur	Estabilizador	Stabilizzatore
1	02-8140	1	3	O-Ring	O-Ring	Joint torique	Anillo "O"	Anello ad O
2	02-8124	1		Housing	Gehäuse	Corps	Caja	Corpo
3	8133	2	6	Spring	Druckfeder	Ressort	Resorte	Molla
4	02-8134	2		Tube	Rohrmutter	Tube	Tubo	Tubo
5	8135	2		Plunger	Plunger	Plongeur	Bomba de émbolo	Pistone
6	02-8136	2		Support	Stützblech	Plaque de support	Placa de soporte	Piattello di supporto
7	8139	2	6	Screw	Schraube	Vis	Tornillo	Vite
8	8137	2	4	Rubber Foot	Fuß	Pied	Pie	Piede

(#) Quantity / Stückzahl / Quantité / Cantidad / Quantità

(X) Recommended Spare Parts / Kennzeichnet empfohlenes / Identifica un particolare di ricambio raccomandato / Designa el repuesto recomendado / Indique la pièce de rechange conseillée.

## Sales & Service Centers

**Note:** All locations may not service all products. Please contact the nearest Sales & Service Center for the appropriate facility to handle your service requirements.

Dallas, TX  
**Apex Tool Group  
Sales & Service Center**  
1470 Post & Paddock  
Grand Prairie, TX 75050  
Tel: 972-641-9563  
Fax: 972-641-9674

Detroit, MI  
**Apex Tool Group  
Sales & Service Center**  
2630 Superior Court  
Auburn Hills, MI 48326  
Tel: 248-391-3700  
Fax: 248-391-7824

Houston, TX  
**Apex Tool Group  
Sales & Service Center**  
6550 West Sam Houston  
Parkway North, Suite 200  
Houston, TX 77041  
Tel: 713-849-2364  
Fax: 713-849-2047

Lexington, SC  
**Apex Tool Group**  
670 Industrial Drive  
Lexington, SC 29072  
Tel: 800-845-5629  
Tel: 803-951-7544  
Fax: 803-358-7681

Los Angeles, CA  
**Apex Tool Group  
Sales & Service Center**  
15503 Blackburn Avenue  
Norwalk, CA 90650  
Tel: 562-623-4457  
Fax: 562-802-1718

Seattle, WA  
**Apex Tool Group  
Sales & Service Center**  
2865 152nd Avenue N.E.  
Redmond, WA 98052  
Tel: 425-497-0476  
Fax: 425-497-0496

York, PA  
**Apex Tool Group  
Sales & Service Center**  
3990 East Market Street  
York, PA 17402  
Tel: 717-755-2933  
Fax: 717-757-5063

Canada  
**Apex Tool Group  
Sales & Service Center**  
5925 McLaughlin Road  
Mississauga, Ont. L5R 1B8  
Canada  
Tel: 905-501-4785  
Fax: 905-501-4786

Germany  
Cooper Power Tools  
GmbH & Co. OHG  
a company of  
Apex Tool Group, LLC  
Industriestraße 1  
73463 Westhausen  
Germany  
Tel: +49 (0) 73 63 81 0  
Fax: +49 (0) 73 63 81 222

England  
Cooper Power Tools  
GmbH & Co. OHG  
a company of  
Apex Tool Group, LLC  
C/O Spline Gauges  
Piccadilly, Tamworth  
Staffordshire B78 2ER  
United Kingdom  
Tel: +44 1827 8741 28  
Fax: +44 1827 8741 28

France  
Cooper Power Tools SAS  
a company of  
Apex Tool Group, LLC  
25 rue Maurice Chevalier  
77330 Ozoir-La-Ferrière  
France  
Tel: +33 1 6443 2200  
Fax: +33 1 6443 1717

China  
Cooper (China) Co., Ltd.  
a company of  
Apex Tool Group, LLC  
955 Sheng Li Road,  
Heqing Pudong, Shanghai  
China 201201  
Tel: +86-21-28994176  
Fax: +86-21-51118446

Mexico  
Cooper Tools  
de México S.A. de C.V.  
a company of  
Apex Tool Group, LLC  
Vialidad El Pueblito #103  
Parque Industrial Querétaro  
Querétaro, QRO 76220  
Mexico  
Tel: +52 (442) 211-3800  
Fax: +52 (442) 103-0443

Brazil  
Cooper Tools Industrial Ltda.  
a company of  
Apex Tool Group, LLC  
Av. Liberdade, 4055  
Zona Industrial - Iporanga  
SP Brazil  
Tel: +55 15 2383929  
Fax: +55 15 2383260

Hungary  
Cooper Tools Hungaria Kft.  
a company of  
Apex Tool Group, LLC  
Berkenyefa sor 7  
Pf: 640  
9027 Győr  
Hungary  
Tel: +36 96 66 1383  
Fax: +36 96 66 1135

Apex Tool Group, LLC  
1000 Lufkin Road  
Apex, NC 27539  
Phone: 919-387-0099  
Fax: 919-387-2614  
www.apextoolgroup.com

# DOTCO®